





**SINCE 1971 A HISTORY
OF QUALITY**

**dal 1971 una storia
di qualità**



**ALFA VALVOLE is pleased to introduce the new brand
ALFA STANDARD and its catalogue, a product range featured
by QUALITY, COMPETITIVENESS and STOCK AVAILABILITY
FOR FAST DELIVERY TIME.**

ALFA VALVOLE ha il piacere di presentare il nuovo catalogo del brand
ALFA STANDARD, un range di prodotti sviluppato per essere caratterizzato
da QUALITA', COMPETITIVITA' E DISPONIBILITA' A MAGAZZINO PER TEMPI
DI CONSEGNA VELOCI.

INDEX



A10N PN10-40
Bar stock body/
corpo da barra
Pag. 4

A10NF PN 10-40
Investment casting body/
corpo da fusione
Pag. 6

A10N ANSI 150
Bar stock body/
corpo da barra
Pag. 8

A20R 800lb
Bar stock body/
corpo da barra
Pag. 24

A20R 1500lb
Bar stock body/
corpo da barra
Pag. 26

A64 ANSI 150
Bar stock body/
corpo da barra
Pag. 28



A10NF ANSI 150
Investment casting body/
corpo da fusione
Pag. 10

A10N ANSI 300
Bar stock body/
corpo da barra
Pag. 12

A10HP ANSI 600
Bar stock body/
corpo da barra
Pag. 14

A64 ANSI 150
Investment casting body/
corpo da fusione
Pag. 30

A60 ANSI 300
Bar stock body/
corpo da barra
Pag. 32

A60 ANSI 300
Investment casting body/
corpo da fusione
Pag. 34



A24K PN40-63
Investment casting body/
corpo da fusione
Pag. 16

A20T 800lb
Bar stock body/
corpo da barra
Pag. 20

A20T 1500lb
Bar stock body/
corpo da barra
Pag. 22

A68 PN 10-40
Investment casting body/
corpo da fusione
Pag. 36

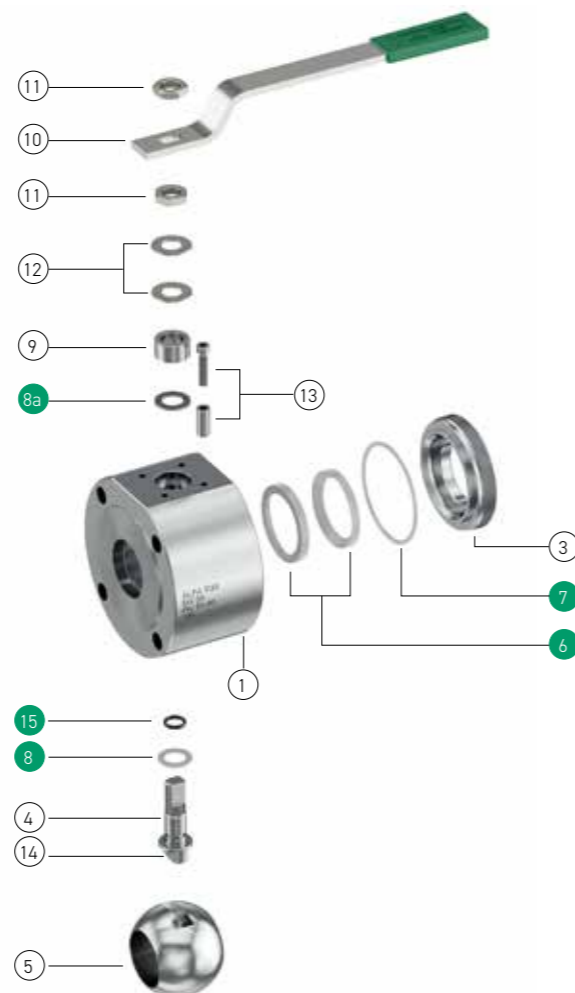
A103 PN 10-40 ANSI 150
Investment casting body/
corpo da fusione
Pag. 38



A10N PN10-40 wafer type ball valve

BAR STOCK BODY
CORPO DA BARRA

PART NAME PARTICOLARE	Q.TY Q.TA'	MATERIALS MATERIALI
1 body corpo	1	ASTM A105 ASTM A479 316/316L
3 closure chiusura	1	ASTM A105 ASTM A479 316/316L
4 stem stelo	1	ASTM A479 F6a (AISI 410) ASTM A182 316/316L
5 ball sfera	1	ASTM A351 CF8 ASTM A351 CF8M
6 seats sedi	2	TFM
7 body gasket guarnizione corpo	1	P.T.F.E.
8 washer bussola	1	P.T.F.E.
8a stem gasket guarnizione stelo	1	GRAPHOIL
9 gland preguarnizione	1	Carbon steel zinc coated Stainless Steel 316
10 lever leva	1	Carbon steel zinc coated
11 stem nut dado stelo	2	Cl.8 A4-40 (AISI 316)
12 spring washer molla a tazza	2	51 CrV4 Zinc coated AISI 316
13 stop device dispositivo di arresto	1	Cl. 8.8 Zinc Coated AISI 316
14 antistatic device dispositivo antistatico	2	AISI 316
15 stem o-ring o-ring stelo	1	VITON 75 Sh. A



Spares parts / Parti di ricambio

STANDARD FEATURES CARATTERISTICHE STANDARD

Flange Facing, RF according / Finitura Flange, RF secondo : EN 1092-1
Flange drilling, metric holes according / Foratura flange, fori metrici secondo : EN1092-1, PN16
Face to face / Scartamento : EN 558-1
Design according to / Progettazione secondo : ASME B16.34, EN 12516-1, PED 2014/68/UE
Fire Safe Design and Construction according to / Costruzione e assemblaggio Fire Safe secondo : EN ISO 10497, API 6FA, API 607
Antistatic Device according to / Dispositivo antistatico secondo: BS 5146
Tightness class / Classe di tenuta : VI (FCI 70-2 - ANSI B 16.104)
Stem sealing with O-ring, Anti Blow-out stem / Tenuta stelo con O-Ring, Stelo anti-espulsione
Actuator coupling flange according to / Flangia integrata per montaggio comando secondo : ISO 5211

A10N PN10-40 CARBON STEEL BODY / CORPO ACCIAIO AL CARBONIO

DN	VALVE RATING	VALVE CODE	DESCRIPTION	VALVE PRICE (€)	KIT CODE	KIT PRICE (€)
15	PN 10-40	A1N15U4C5-0001-M0010	ALFA10N DN15 PN10-40 A105 FS RF MET		KGA1N15A1-001	
20	PN 10-40	A1N20U4C5-0001-M0010	ALFA10N DN20 PN10-40 A105 FS RF MET		KGA1N20A1-001	
25	PN 10-40	A1N25U4C5-0001-M0010	ALFA10N DN25 PN10-40 A105 FS RF MET		KGA1N25A1-001	
32	PN 10-40	A1N32U4C5-0001-M0010	ALFA10N DN32 PN10-40 A105 FS RF MET		KGA1N32A1-001	
40	PN 10-40	A1N40U4C5-0001-M0010	ALFA10N DN40 PN10-40 A105 FS RF MET		KGA1N40A1-001	
50	PN 10-40	A1N50U4C5-0001-M0010	ALFA10N DN50 PN10-40 A105 FS RF MET		KGA1N50A1-001	
65	PN 10-16	A1N65U3C5-0001-M0010	ALFA10N DN65 PN10-16 A105 FS RF MET		KGA1N65A1-001	
80	PN 16-40	A1N80U6C5-0001-M0010	ALFA10N DN80 PN16-40 A105 FS RF MET		KGA1N80A1-001	
100	PN 10-16	A1NA0U3C5-0001-M0010	ALFA10N DN100 PN10-16 A105 FS RF MET		KGA1NA0A1-001	

A10N PN10-40 STAINLESS STEEL BODY / CORPO ACCIAIO INOSSIDABILE

DN	VALVE RATING	VALVE CODE	DESCRIPTION	VALVE PRICE (€)	KIT CODE	KIT PRICE (€)
15	PN 10-40	A1N15U4SD-0001-M0000	ALFA10N DN15 PN10-40 316/316L FS RF MET		KGA1N15A1-001	
20	PN 10-40	A1N20U4SD-0001-M0000	ALFA10N DN20 PN10-40 316/316L FS RF MET		KGA1N20A1-001	
25	PN 10-40	A1N25U4SD-0001-M0000	ALFA10N DN25 PN10-40 316/316L FS RF MET		KGA1N25A1-001	
32	PN 10-40	A1N32U4SD-0001-M0000	ALFA10N DN32 PN10-40 316/316L FS RF MET		KGA1N32A1-001	
40	PN 10-40	A1N40U4SD-0001-M0000	ALFA10N DN40 PN10-40 316/316L FS RF MET		KGA1N40A1-001	
50	PN 10-40	A1N50U4SD-0001-M0000	ALFA10N DN50 PN10-40 316/316L FS RF MET		KGA1N50A1-001	
65	PN 10-16	A1N65U3SD-0001-M0000	ALFA10N DN65 PN10-16 316/316L FS RF MET		KGA1N65A1-001	
80	PN 16-40	A1N80U6SD-0001-M0000	ALFA10N DN80 PN16-40 316/316L FS RF MET		KGA1N80A1-001	
100	PN 10-16	A1NA0U3SD-0001-M0000	ALFA10N DN100 PN10-16 316/316L FS RF MET		KGA1NA0A1-001	

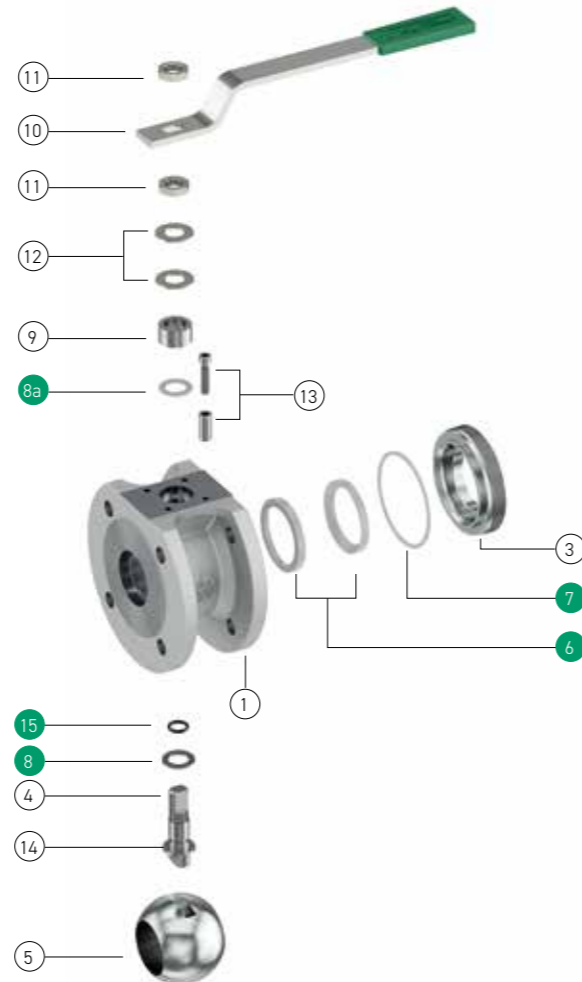
Product codes in bold are related to product available on stock: delivery time within 3 weeks based on ordered quantity.
All other codes are related to product ready for assembly: delivery time within 5 weeks based on ordered quantity.
Missing Sizes and Special Executions are available upon request. Please contact Sales Dept. for availability and delivery time.
I codici in grassetto indicano prodotti normalmente disponibili a stock: consegna entro 3 settimane secondo quantità ordinate.
Gli altri codici indicano prodotti disponibili per assemblaggio: consegna entro 5 settimane secondo quantità ordinate.
Dimensioni mancanti ed esecuzioni speciali sono disponibili su richiesta. Si prega contattare Ufficio commerciale per disponibilità e consegne.



A10NF PN10-40 wafer type ball valve

INVESTMENT CASTING BODY
CORPO DA FUSIONE

PART NAME PARTICOLARE	Q.TY	MATERIALS Q.TA' MATERIALI			
1 body corpo	1	ASTM A216 WCB	ASTM A351 CF8M	ASTM A351 CF8	
3 closure chiusura	1	ASTM A216 WCB	ASTM A351 CF8M	ASTM A351 CF8	
4 stem stelo	1	ASTM A479 F6a (AISI 410)	ASTM A182 316/316L		
5 ball sfera	1	ASTM A351 CF8	ASTM A351 CF8M	ASTM A351 CF8	
6 seats sedi	2	TFM	TFM		
7 body gasket guarnizione corpo	1	P.T.F.E./GRAPHOIL (DN>100)	P.T.F.E./GRAPHOIL (DN> 100)		
8 washer bussola	1	P.T.F.E.	P.T.F.E.		
8a stem gasket guarnizione stelo	1	GRAPHOIL	GRAPHOIL		
9 gland preguarnizione	1	Carbon Steel Zinc Coated	Stainless Steel 316		
10 lever leva	1	Carbon Steel Zinc Coated	Carbon Steel Zinc Coated		
11 stem nut dado stelo	2	Cl. 8	A4-40 (AISI 316)		
12 spring washer molla a tazza	2	51CrV4 Zinc Coated	AISI 316		
13 stop device dispositivo di arresto	1	Cl. 8.8 Zinc Coated	AISI 316		
14 antistatic device dispositivo antistatico	2	AISI 316	AISI 316		
15 stem o-ring o-ring stelo	1	VITON 75 Sh. A	VITON 75 Sh. A		
16 body o-ring (DN >100) o-ring corpo	1	P.T.F.E.	P.T.F.E.		



Spares parts / Parti di ricambio

STANDARD FEATURES CARATTERISTICHE STANDARD

Flange Facing RF according / Finitura Flange RF according : EN 1092-1
 Flange drilling, metric holes according / Foratura flange, fori metrici secondo : EN1092-1, PN16
 Face to face / Scartamento : EN 558-1
 Design according to / Progettazione secondo : ASME B16.34, EN 12516-1, PED 2014/68/UE
 Fire Safe Design and Construction according to / Costruzione e assemblaggio Fire Safe secondo : EN ISO 10497, API 6FA, API 607
 Antistatic Device according to / Dispositivo antistatico secondo : BS 5146
 Tightness class / Classe di tenuta : VI (FCI 70-2 - ANSI B 16.104)
 Stem sealing with O-ring, Anti Blow-out stem / Tenuta stelo con O-Ring, stelo anti-espulsione
 Actuator coupling flange according to/ Flangia integrata per montaggio comando secondo : ISO 5211

A10NF PN10-40 CARBON STEEL BODY / CORPO ACCIAIO AL CARBONIO

WCB

DN	VALVE RATING	VALVE CODE	DESCRIPTION	VALVE PRICE (€)	KIT CODE	KIT PRICE (€)
15	PN 10-40	A1N15U4C1-0002-M0010	ALFA10NF DN15 PN10-40 WCB FS RF MET		KGA1N15A1-001	
20	PN 10-40	A1N20U4C1-0002-M0010	ALFA10NF DN20 PN10-40 WCB FS RF MET		KGA1N20A1-001	
25	PN 10-40	A1N25U4C1-0002-M0010	ALFA10NF DN25 PN10-40 WCB FS RF MET		KGA1N25A1-001	
32	PN 10-40	A1N32U4C1-0002-M0010	ALFA10NF DN32 PN10-40 WCB FS RF MET		KGA1N32A1-001	
40	PN 10-40	A1N40U4C1-0002-M0010	ALFA10NF DN40 PN10-40 WCB FS RF MET		KGA1N40A1-001	
50	PN 10-40	A1N50U4C1-0002-M0010	ALFA10NF DN50 PN10-40 WCB FS RF MET		KGA1N50A1-001	
65	PN 10-16	A1N65U3C1-0001-M0010	ALFA10NF DN65 PN10-16 WCB FS RF MET		KGA1N65A1-001	
80	PN 16-40	A1N80U6C1-0002-M0010	ALFA10NF DN80 PN16-40 WCB FS RF MET		KGA1N80A1-001	
100	PN 10-16	A1NA0U3C1-0001-M0010	ALFA10NF DN100 PN10-16 WCB FS RF MET		KGA1NA0A1-002	
125	PN 10-16	A1NA2U3C1-0002-M0010	ALFA10NF DN125 PN10-16 WCB FS RF MET		KGA64A2A1-002	
150	PN 10-16	A1NA5U3C1-0001-M0010	ALFA10NF DN150 PN10-16 WCB FS RF MET		KGA64A5A1-001	
200	PN16	A1NB0U5C1-0001-M0010	ALFA10NF DN200 PN16 WCB FS RF MET		KGA64B0A1-001	

A10NF PN10-40 STAINLESS STEEL BODY / CORPO ACCIAIO INOSSIDABILE

CF8M

DN	VALVE RATING	VALVE CODE	DESCRIPTION	VALVE PRICE (€)	KIT CODE	KIT PRICE (€)
15	PN 10-40	A1N15U4S2-0001-M0000	ALFA10NF DN15 PN10-40 CF8M FS RF MET		KGA1N15A1-001	
20	PN 10-40	A1N20U4S2-0001-M0000	ALFA10NF DN20 PN10-40 CF8M FS RF MET		KGA1N20A1-001	
25	PN 10-40	A1N25U4S2-0001-M0000	ALFA10NF DN25 PN10-40 CF8M FS RF MET		KGA1N25A1-001	
32	PN 10-40	A1N32U4S2-0001-M0000	ALFA10NF DN32 PN10-40 CF8M FS RF MET		KGA1N32A1-001	
40	PN 10-40	A1N40U4S2-0001-M0000	ALFA10NF DN40 PN10-40 CF8M FS RF MET		KGA1N40A1-001	
50	PN 10-40	A1N50U4S2-0001-M0000	ALFA10NF DN50 PN10-40 CF8M FS RF MET		KGA1N50A1-001	
65	PN 10-16	A1N65U3S2-0001-M0000	ALFA10NF DN65 PN10-16 CF8M FS RF MET		KGA1N65A1-001	
80	PN 16-40	A1N80U6S2-0001-M0000	ALFA10NF DN80 PN16-40 CF8M FS RF MET		KGA1N80A1-001	
100	PN 10-16	A1NA0U3S2-0001-M0000	ALFA10NF DN100 PN10-16 CF8M FS RF MET		KGA1NA0A1-002	
125	PN 10-16	A1NA2U3S2-0002-M0000	ALFA10NF DN125 PN10-16 CF8M FS RF MET		KGA64A2A1-002	
150	PN 10-16	A1NA5U3S2-0001-M0000	ALFA10NF DN150 PN10-16 CF8M FS RF MET		KGA64A5A1-001	
200	PN16	A1NB0U5S2-0001-M0000	ALFA10NF DN200 PN16 CF8M FS RF MET		KGA64B0A1-001	

CF8

DN	VALVE RATING	VALVE CODE	DESCRIPTION	VALVE PRICE (€)	KIT CODE	KIT PRICE (€)
15	PN 10-40	A1N15U4S3-0001-M0000	ALFA10NF DN15 PN10-40 CF8 FS RF MET		KGA1N15A1-001	
20	PN 10-40	A1N20U4S3-0001-M0000	ALFA10NF DN20 PN10-40 CF8 FS RF MET		KGA1N20A1-001	
25	PN 10-40	A1N25U4S3-0001-M0000	ALFA10NF DN25 PN10-40 CF8 FS RF MET		KGA1N25A1-001	
32	PN 10-40	A1N32U4S3-0001-M0000	ALFA10NF DN32 PN10-40 CF8 FS RF MET		KGA1N32A1-001	
40	PN 10-40	A1N40U4S3-0001-M0000	ALFA10NF DN40 PN10-40 CF8 FS RF MET		KGA1N40A1-001	
50	PN 10-40	A1N50U4S3-0001-M0000	ALFA10NF DN50 PN10-40 CF8 FS RF MET		KGA1N50A1-001	
65	PN 10-16	A1N65U3S3-0001-M0000	ALFA10NF DN65 PN10-16 CF8 FS RF MET		KGA1N65A1-001	
80	PN 16-40	A1N80U6S3-0001-M0000	ALFA10NF DN80 PN16-40 CF8 FS RF MET		KGA1N80A1-001	
100	PN 10-16	A1NA0U3S3-0001-M0000	ALFA10NF DN100 PN10-16 CF8 FS RF MET		KGA1NA0A1-002	
150	PN 10-16	A1NA5U3S3-0001-M0000	ALFA10NF DN150 PN10-16 CF8 FS RF MET		KGA64A5A1-001	



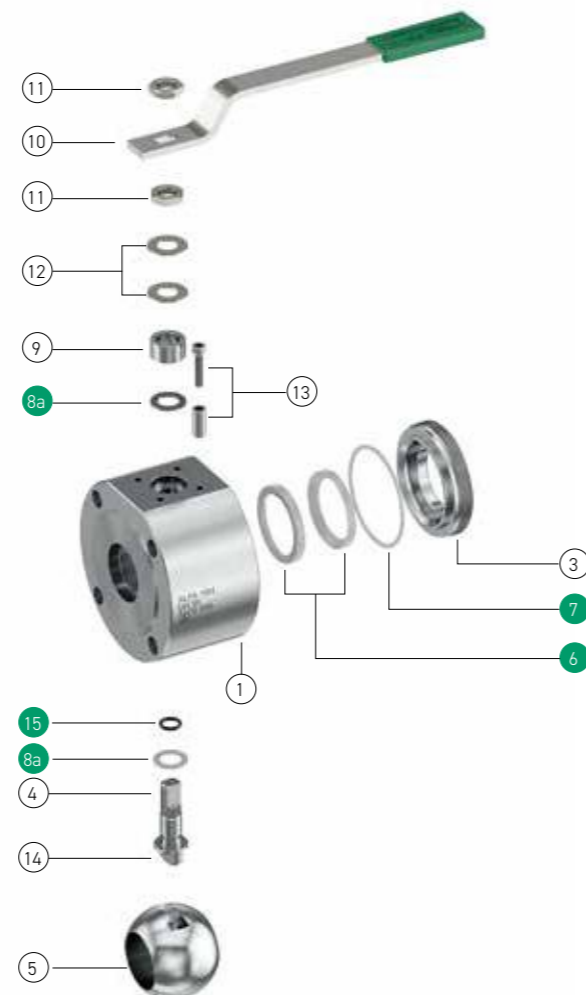
Product codes in bold are related to product available on stock; delivery time within 3 weeks based on ordered quantity.
 All other codes are related to product ready for assembly; delivery time within 5 weeks based on ordered quantity.
 Missing Sizes and Special Executions are available upon request. Please contact Sales Dept. for availability and delivery time
I codici in grassetto indicano prodotti normalmente disponibili a stock; consegna entro 3 settimane secondo quantità ordinate
 Gli altri codici indicano prodotti disponibili per assemblaggio; consegna entro 5 settimane secondo quantità ordinate
 Dimensioni mancanti ed esecuzioni speciali sono disponibili su richiesta. Si prega contattare Ufficio commerciale per disponibilità e consegne



A10N ANSI 150 wafer type ball valve

BAR STOCK BODY
CORPO DA BARRA

PART NAME PARTICOLARE	Q.TY Q.TA'	MATERIALS MATERIALI	
1 body corpo	1	ASTM A105	ASTM A479 316/316L
3 closure chiusura	1	ASTM A105	ASTM A479 316/316L
4 stem stelo	1	ASTM A479 F6a (AISI 410)	ASTM A182 316/316L
5 ball sfera	1	ASTM A351 CF8	ASTM A351 CF8M
6 seats sedi	2		TFM
7 body gasket guarnizione corpo	1		P.T.F.E.
8 washer bussola	1		P.T.F.E.
8a stem gasket guarnizione stelo	1		GRAPHOIL
9 gland preguarnizione	1	Carbon steel Zinc Coated	Stainless Steel 316
10 lever leva	1		Carbon steel Zinc Coated
11 stem nut dado stelo	2	Cl.8	A4-40 (AISI 316)
12 spring washer molla a tazza	2	51 CrV4 Zinc coated	AISI 316
13 stop device dispositivo di arresto	1	Cl. 8.8 Zinc Coated	AISI 316
14 antistatic device dispositivo antistatico	2		AISI 316
15 stem o-ring o-ring stelo	1		VITON 75 Sh. A



Spares parts / Parti di ricambio

STANDARD FEATURES CARATTERISTICHE STANDARD

Flange Facing / Finitura Flange : RF according ASME B16.5, ANSI 150
Flange drilling, metric holes according / Foratura flange, fori metrici secondo : ASME B16.5, ANSI 150
Face to face / Scartamento : EN 558-1
Design according to / Progettazione secondo : ASME B16.34, EN 12516-1, PED 2014/68/UE
Fire Safe Design and Construction according to / Costruzione e assemblaggio Fire Safe secondo : EN ISO 10497, API 6FA, API 607
Antistatic Device according to / Dispositivo antistatico secondo : BS 5146
Tightness class / Classe di tenuta : VI (FCI 70-2 - ANSI B 16.104)
Stem sealing with O-ring, Anti Blow-out stem / Tenuta stelo con O-Ring, stelo anti-espulsione
Actuator coupling flange according to / Flangia integrata per montaggio comando secondo : ISO 5211

A10N ANSI 150 CARBON STEEL BODY / CORPO ACCIAIO AL CARBONIO

DN	VALVE RATING	VALVE CODE	DESCRIPTION	VALVE PRICE (€)	KIT CODE	KIT PRICE (€)
15	ANSI 150	A1N15A1C5-0001-M0010	ALFA10N DN15 ANSI150 A105 FS RF MET		KGA1N15A1-001	
20	ANSI 150	A1N20A1C5-0001-M0010	ALFA10N DN20 ANSI150 A105 FS RF MET		KGA1N20A1-001	
25	ANSI 150	A1N25A1C5-0001-M0010	ALFA10N DN25 ANSI150 A105 FS RF MET		KGA1N25A1-001	
32	ANSI 150	A1N32A1C5-0001-M0010	ALFA10N DN32 ANSI150 A105 FS RF MET		KGA1N32A1-001	
40	ANSI 150	A1N40A1C5-0001-M0010	ALFA10N DN40 ANSI150 A105 FS RF MET		KGA1N40A1-001	
50	ANSI 150	A1N50A1C5-0001-M0010	ALFA10N DN50 ANSI150 A105 FS RF MET		KGA1N50A1-001	
65	ANSI 150	A1N65A1C5-0001-M0010	ALFA10N DN65 ANSI150 A105 FS RF MET		KGA1N65A1-001	
80	ANSI 150	A1N80A1C5-0001-M0010	ALFA10N DN80 ANSI150 A105 FS RF MET		KGA1N80A1-001	
100	ANSI 150	A1NA0A1C5-0001-M0010	ALFA10N DN100 ANSI150 A105 FS RF MET		KGA1NA0A1-001	

A10N ANSI 150 STAINLESS STEEL BODY / CORPO ACCIAIO INOSSIDABILE

DN	VALVE RATING	VALVE CODE	DESCRIPTION	VALVE PRICE (€)	KIT CODE	KIT PRICE (€)
15	ANSI 150	A1N15A1SD-0001-M0000	ALFA10N DN15 ANSI150 316/316L FS RF MET		KGA1N15A1-001	
20	ANSI 150	A1N20A1SD-0001-M0000	ALFA10N DN20 ANSI150 316/316L FS RF MET		KGA1N20A1-001	
25	ANSI 150	A1N25A1SD-0001-M0000	ALFA10N DN25 ANSI150 316/316L FS RF MET		KGA1N25A1-001	
32	ANSI 150	A1N32A1SD-0001-M0000	ALFA10N DN32 ANSI150 316/316L FS RF MET		KGA1N32A1-001	
40	ANSI 150	A1N40A1SD-0001-M0000	ALFA10N DN40 ANSI150 316/316L FS RF MET		KGA1N40A1-001	
50	ANSI 150	A1N50A1SD-0001-M0000	ALFA10N DN50 ANSI150 316/316L FS RF MET		KGA1N50A1-001	
65	ANSI 150	A1N65A1SD-0001-M0000	ALFA10N DN65 ANSI150 316/316L FS RF MET		KGA1N65A1-001	
80	ANSI 150	A1N80A1SD-0001-M0000	ALFA10N DN80 ANSI150 316/316L FS RF MET		KGA1N80A1-001	
100	ANSI 150	A1NA0A1SD-0001-M0000	ALFA10N DN100 ANSI150 316/316L FS RF MET		KGA1NA0A1-001	



Product codes in bold are related to product available on stock; delivery time within 3 weeks based on ordered quantity.

All other codes are related to product ready for assembly; delivery time within 5 weeks based on ordered quantity.

Missing Sizes and Special Executions are available upon request. Please contact Sales Dept. for availability and delivery time

I codici in grassetto indicano prodotti normalmente disponibili a stock; consegna entro 3 settimane secondo quantità ordinate

Gli altri codici indicano prodotti disponibili per assemblaggio; consegna entro 5 settimane secondo quantità ordinate

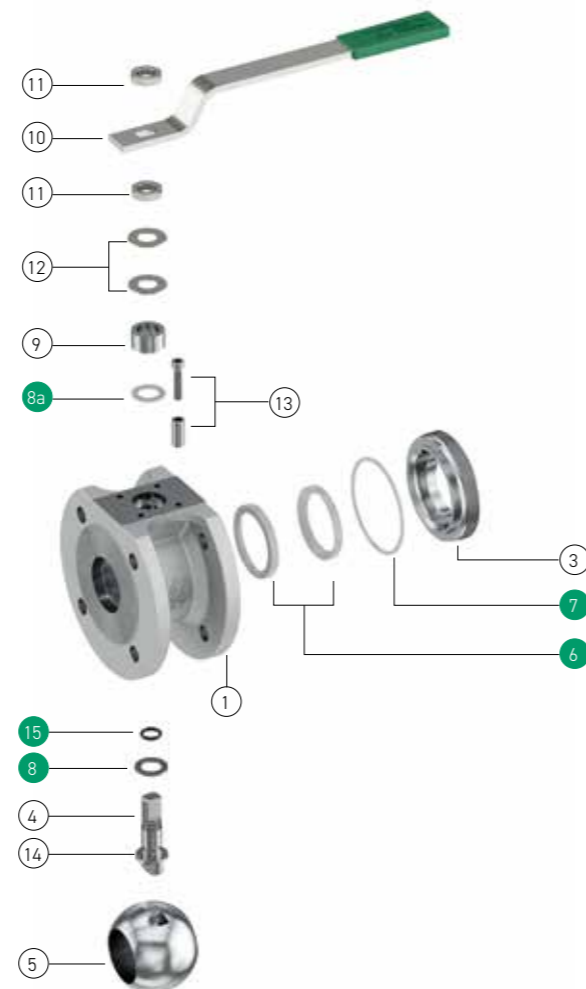
Dimensioni mancanti ed esecuzioni speciali sono disponibili su richiesta. Si prega contattare Ufficio commerciale per disponibilità e consegne



A10NF ANSI 150 wafer type ball valve

INVESTMENT CASTING BODY
CORPO DA FUSIONE

PART NAME PARTICOLARE	Q.TY Q.TA	MATERIALS MATERIALI			
1 body corpo	1	ASTM A216 WCB	ASTM A351 CF8M	ASTM A351 CF8	
3 closure chiusura	1	ASTM A216 WCB	ASTM A351 CF8M	ASTM A351 CF8	
4 stem stelo	1	ASTM A479 F6a (AISI 410)	ASTM A182 316/316L		
5 ball sfera	1	ASTM A351 CF8	ASTM A351 CF8M	ASTM A351 CF8	
6 seats sedi	2	TFM	TFM		
7 body gasket guarnizione corpo	1	P.T.F.E./GRAPHOIL (DN > 100)	P.T.F.E./GRAPHOIL (DN > 100)		
8 washer bussola	1	P.T.F.E.	P.T.F.E.		
8a stem gasket guarnizione stelo	1	GRAPHOIL	GRAPHOIL		
9 gland premi-guarnizione	1	Carbon Steel Zinc Coated	Stainless Steel 316		
10 lever leva	1	Carbon Steel Zinc Coated	Carbon Steel Zinc Coated		
11 stem nut dado stelo	2	Cl. 8	A4-40 (AISI 316)		
12 spring washer molla a tazza	2	51CrV4 Zinc Coated	AISI 316		
13 stop device dispositivo di arresto	1	Cl. 8.8 Zinc Coated	AISI 316		
14 antistatic device dispositivo antistatico	2	AISI 316	AISI 316		
15 stem o-ring o-ring stelo	1	VITON 75 Sh. A	VITON 75 Sh. A		
16 body o-ring (DN > 100) o-ring corpo	1	P.T.F.E.	P.T.F.E.		



Spares parts / Parti di ricambio

STANDARD FEATURES CARATTERISTICHE STANDARD

Flange Facing RF according / Finitura Flange RF secondo : ASME B16.5, ANSI 150
Flange drilling, metric holes according / Foratura flange, fori metrici secondo : ASME B16.5, ANSI 150
Face to face / Scartamento : EN 558-1
Design according to / Progettazione secondo : ASME B16.34, EN 12516-1, PED 2014/68/UE
Fire Safe Design and Construction according to / Costruzione e assemblaggio Fire Safe secondo : EN ISO 10497, API 6FA, API 607
Antistatic Device according to / Dispositivo antistatico secondo : BS 5146
Tightness class / Classe di tenuta : VI (FCI 70-2 - ANSI B 16.104)
Stem sealing with O-ring, Anti Blow-out stem / Tenuta stelo con O-Ring, stelo anti -espulsione
Actuator coupling flange according to / Flangia integrata per montaggio comando secondo : ISO 5211

A10NF ANSI 150 CARBON STEEL BODY / CORPO ACCIAIO AL CARBONIO

DN	VALVE RATING	VALVE CODE	DESCRIPTION	VALVE PRICE (€)	KIT CODE	KIT PRICE (€)
15	ANSI 150	A1N15A1C1-0002-M0010	ALFA10NF DN15 ANSI150 WCB FS RF MET		KGA1N15A1-001	
20	ANSI 150	A1N20A1C1-0002-M0010	ALFA10NF DN20 ANSI150 WCB FS RF MET		KGA1N20A1-001	
25	ANSI 150	A1N25A1C1-0002-M0010	ALFA10NF DN25 ANSI150 WCB FS RF MET		KGA1N25A1-001	
32	ANSI 150	A1N32A1C1-0002-M0010	ALFA10NF DN32 ANSI150 WCB FS RF MET		KGA1N32A1-001	
40	ANSI 150	A1N40A1C1-0002-M0010	ALFA10NF DN40 ANSI150 WCB FS RF MET		KGA1N40A1-001	
50	ANSI 150	A1N50A1C1-0002-M0010	ALFA10NF DN50 ANSI150 WCB FS RF MET		KGA1N50A1-001	
65	ANSI 150	A1N65A1C1-0002-M0010	ALFA10NF DN65 ANSI150 WCB FS RF MET		KGA1N65A1-001	
80	ANSI 150	A1N80A1C1-0002-M0010	ALFA10NF DN80 ANSI150 WCB FS RF MET		KGA1N80A1-001	
100	ANSI 150	A1NA0A1C1-0001-M0010	ALFA10NF DN100 ANSI150 WCB FS RF MET		KGA1NA0A1-002	
125	ANSI 150	A1NA2A1C1-0001-M0010	ALFA10NF DN125 ANSI150 WCB FS RF MET		KGA64A2A1-002	
150	ANSI 150	A1NA5A1C1-0001-M0010	ALFA10NF DN150 ANSI150 WCB FS RF MET		KGA64A5A1-001	
200	ANSI 150	A1NB0A1C1-0001-M0010	ALFA10NF DN200 ANSI150 WCB FS RF MET		KGA64B0A1-001	

A10NF ANSI 150 STAINLESS STEEL BODY / CORPO ACCIAIO INOSSIDABILE

DN	VALVE RATING	VALVE CODE	DESCRIPTION	VALVE PRICE (€)	KIT CODE	KIT PRICE (€)
15	ANSI 150	A1N15A1S2-0001-M0000	ALFA10NF DN15 ANSI150 CF8M FS RF MET		KGA1N15A1-001	
20	ANSI 150	A1N20A1S2-0001-M0000	ALFA10NF DN20 ANSI150 CF8M FS RF MET		KGA1N20A1-001	
25	ANSI 150	A1N25A1S2-0001-M0000	ALFA10NF DN25 ANSI150 CF8M FS RF MET		KGA1N25A1-001	
32	ANSI 150	A1N32A1S2-0001-M0000	ALFA10NF DN32 ANSI150 CF8M FS RF MET		KGA1N32A1-001	
40	ANSI 150	A1N40A1S2-0001-M0000	ALFA10NF DN40 ANSI150 CF8M FS RF MET		KGA1N40A1-001	
50	ANSI 150	A1N50A1S2-0001-M0000	ALFA10NF DN50 ANSI150 CF8M FS RF MET		KGA1N50A1-001	
65	ANSI 150	A1N65A1S2-0001-M0000	ALFA10NF DN65 ANSI150 CF8M FS RF MET		KGA1N65A1-001	
80	ANSI 150	A1N80A1S2-0001-M0000	ALFA10NF DN80 ANSI150 CF8M FS RF MET		KGA1N80A1-001	
100	ANSI 150	A1NA0A1S2-0001-M0000	ALFA10NF DN100 ANSI150 CF8M FS RF MET		KGA1NA0A1-002	
125	ANSI 150	A1NA2A1S2-0001-M0000	ALFA10NF DN125 ANSI150 CF8M FS RF MET		KGA64A2A1-002	
150	ANSI 150	A1NA5A1S2-0001-M0000	ALFA10NF DN150 ANSI150 CF8M FS RF MET		KGA64A5A1-001	
200	ANSI 150	A1NB0A1S2-0001-M0000	ALFA10NF DN200 ANSI150 CF8M FS RF MET		KGA64B0A1-001	

DN	VALVE RATING	VALVE CODE	DESCRIPTION	VALVE PRICE (€)	KIT CODE	KIT PRICE (€)
15	ANSI 150	A1N15A1S3-0001-M0000	ALFA10NF DN15 ANSI150 CF8 FS RF MET		KGA1N15A1-001	
20	ANSI 150	A1N20A1S3-0001-M0000	ALFA10NF DN20 ANSI150 CF8 FS RF MET		KGA1N20A1-001	
25	ANSI 150	A1N25A1S3-0001-M0000	ALFA10NF DN25 ANSI150 CF8 FS RF MET		KGA1N25A1-001	
32	ANSI 150	A1N32A1S3-0001-M0000	ALFA10NF DN32 ANSI150 CF8 FS RF MET		KGA1N32A1-001	
40	ANSI 150	A1N40A1S3-0001-M0000	ALFA10NF DN40 ANSI150 CF8 FS RF MET		KGA1N40A1-001	
50	ANSI 150	A1N50A1S3-0001-M0000	ALFA10NF DN50 ANSI150 CF8 FS RF MET		KGA1N50A1-001	
65	ANSI 150	A1N65A1S3-0001-M0000	ALFA10NF DN65 ANSI150 CF8 FS RF MET		KGA1N65A1-001	
80	ANSI 150	A1N80A1S3-0001-M0000	ALFA10NF DN80 ANSI150 CF8 FS RF MET		KGA1N80A1-001	
100	ANSI 150	A1NA0A1S3-0001-M0000	ALFA10NF DN100 ANSI150 CF8 FS RF MET		KGA1NA0A1-002	
150	ANSI 150	A1NA5A1S3-0001-M0000	ALFA10NF DN150 ANSI150 CF8 FS RF MET		KGA64A5A1-001	



Product codes in bold are related to product available on stock; delivery time within 3 weeks based on ordered quantity.

All other codes are related to product ready for assembly; delivery time within 5 weeks based on ordered quantity.

Missing Sizes and Special Executions are available upon request. Please contact Sales Dept. for availability and delivery time

I codici in grassetto indicano prodotti normalmente disponibili a stock; consegna entro 3 settimane secondo quantità ordinate

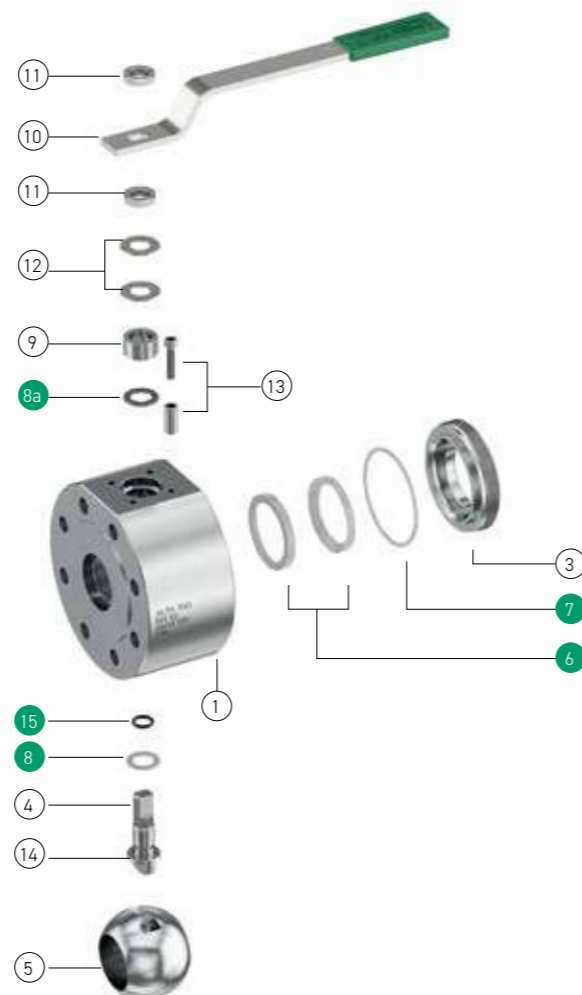
Gli altri codici indicano prodotti disponibili per assemblaggio; consegna entro 5 settimane secondo quantità ordinate

Dimensioni mancanti ed esecuzioni speciali sono disponibili su richiesta. Si prega contattare Ufficio commerciale per disponibilità e consegne



A10N ANSI 300 wafer type ball valve

PART NAME PARTICOLARE	Q.TY Q.TA'	MATERIALS MATERIALI	
1 body corpo	1	ASTM A105 *	ASTM A479 316/316L **
3 closure chiusura	1	ASTM A105 *	ASTM A479 316/316L **
4 stem stelo	1	ASTM A479 F6a (AISI 410)	ASTM A182 316/316L
5 ball sfera	1	ASTM A351 CF8	ASTM A351 CF8M
6 seats sedi	2	TFM	
7 body gasket guarnizione corpo	1	P.T.F.E./GRAPHOIL (DN > 100)	
8 washer bussola	1	P.T.F.E.	
8a stem gasket guarnizione stelo	1	GRAPHOIL	
9 gland premi-guarnizione	1	Carbon steel Zinc Coated	Stainless Steel 316
10 lever leva	1	Carbon steel Zinc Coated	
11 stem nut dado stelo	2	Cl.8	A4-40 (AISI 316)
12 spring washer molla a tazza	2	51CrV4 Zinc Coated	AISI 316
13 stop device dispositivo di arresto	1	Cl. 8.8 Zinc Coated	AISI 316
14 antistatic device dispositivo antistatico	2	AISI 316	
15 stem o-ring o-ring stelo	1	VITON 75 Sh. A	
16 body o-ring (DN > 100) o-ring corpo	1	P.T.F.E.	



- * DN > 125: ASTM A216 WCB
- ** DN > 125: ASTM A351 CF8M
- 🔄 Spares parts / Parti di ricambio

STANDARD FEATURES CARATTERISTICHE STANDARD

- Flange Facing RF according / Finitura Flange secondo : ASME B16.5, ANSI 300
- Flange drilling, metric holes according / Foratura flange, fori metrici secondo : ASME B16.5, ANSI 300
- Face to face / Scartamento : EN 558-1
- Design according to / Progettazione secondo : ASME B16.34, EN 12516-1, PED 2014/68/UE
- Fire Safe Design and Construction according to / Costruzione e assemblaggio Fire Safe secondo : EN ISO 10497, API 6FA, API 607
- Antistatic Device according to / Dispositivo antistatico secondo : BS 5146
- Tightness class / Classe di tenuta : VI (FCI 70-2 - ANSI B 16.104)
- Stem sealing with O-ring, Anti Blow-out stem / Tenuta stelo con O-Ring, stelo anti-espulsione
- Actuator coupling flange according to / Flangia integrata per montaggio comando secondo : ISO 5211

A10N ANSI 300 CARBON STEEL BODY / CORPO ACCIAIO AL CARBONIO

A105
WCB*

DN	VALVE RATING	VALVE CODE	DESCRIPTION	VALVE PRICE (€)	KIT CODE	KIT PRICE (€)
15	ANSI 300	A1N15A2C5-0002-M0010	ALFA10N DN15 ANSI300 A105 FS RF MET		KGA1N15A1-001	
20	ANSI 300	A1N20A2C5-0002-M0010	ALFA10N DN20 ANSI300 A105 FS RF MET		KGA1N20A1-001	
25	ANSI 300	A1N25A2C5-0002-M0010	ALFA10N DN25 ANSI300 A105 FS RF MET		KGA1N25A1-001	
32	ANSI 300	A1N32A2C5-0002-M0010	ALFA10N DN32 ANSI300 A105 FS RF MET		KGA1N32A1-001	
40	ANSI 300	A1N40A2C5-0002-M0010	ALFA10N DN40 ANSI300 A105 FS RF MET		KGA1N40A1-001	
50	ANSI 300	A1N50A2C5-0001-M0010	ALFA10N DN50 ANSI300 A105 FS RF MET		KGA1N50A1-001	
65	ANSI 300	A1N65A2C5-0001-M0010	ALFA10N DN65 ANSI300 A105 FS RF MET		KGA1N65A1-001	
80	ANSI 300	A1N80A2C5-0001-M0010	ALFA10N DN80 ANSI300 A105 FS RF MET		KGA1N80A1-001	
100	ANSI 300	A1NA0A2C5-0001-M0010	ALFA10N DN100 ANSI300 A105 FS RF MET		KGA1N40A1-001	
*125	ANSI 300	A1NA2A2C1-0001-M0010	ALFA10NF DN125 ANSI300 WCB FS RF MET		KGA64A2A1-002	
*150	ANSI 300	A1NA5A2C1-0001-M0010	ALFA10NF DN150 ANSI300 WCB FS RF MET		KGA64A5A1-002	

A10N ANSI 300 STAINLESS STEEL BODY / CORPO ACCIAIO INOSSIDABILE

316(L)
CF8M**

DN	VALVE RATING	VALVE CODE	DESCRIPTION	VALVE PRICE (€)	KIT CODE	KIT PRICE (€)
15	ANSI 300	A1N15A2SD-0001-M0000	ALFA10N DN15 ANSI300 316/316L FS RF MET		KGA1N15A1-001	
20	ANSI 300	A1N20A2SD-0001-M0000	ALFA10N DN20 ANSI300 316/316L FS RF MET		KGA1N20A1-001	
25	ANSI 300	A1N25A2SD-0001-M0000	ALFA10N DN25 ANSI300 316/316L FS RF MET		KGA1N25A1-001	
32	ANSI 300	A1N32A2SD-0001-M0000	ALFA10N DN32 ANSI300 316/316L FS RF MET		KGA1N32A1-001	
40	ANSI 300	A1N40A2SD-0001-M0000	ALFA10N DN40 ANSI300 316/316L FS RF MET		KGA1N40A1-001	
50	ANSI 300	A1N50A2SD-0001-M0000	ALFA10N DN50 ANSI300 316/316L FS RF MET		KGA1N50A1-001	
65	ANSI 300	A1N65A2SD-0001-M0000	ALFA10N DN65 ANSI300 316/316L FS RF MET		KGA1N65A1-001	
80	ANSI 300	A1N80A2SD-0001-M0000	ALFA10N DN80 ANSI300 316/316L FS RF MET		KGA1N80A1-001	
100	ANSI 300	A1NA0A2SD-0001-M0000	ALFA10N DN100 ANSI300 316/316L FS RF MET		KGA1NA0A1-001	
**125	ANSI 300	A1NA2A2S2-0001-M0000	ALFA10NF DN125 ANSI300 CF8M FS RF MET		KGA64A2A1-002	
**150	ANSI 300	A1NA5A2S2-0001-M0000	ALFA10NF DN150 ANSI300 CF8M FS RF MET		KGA64A5A1-002	

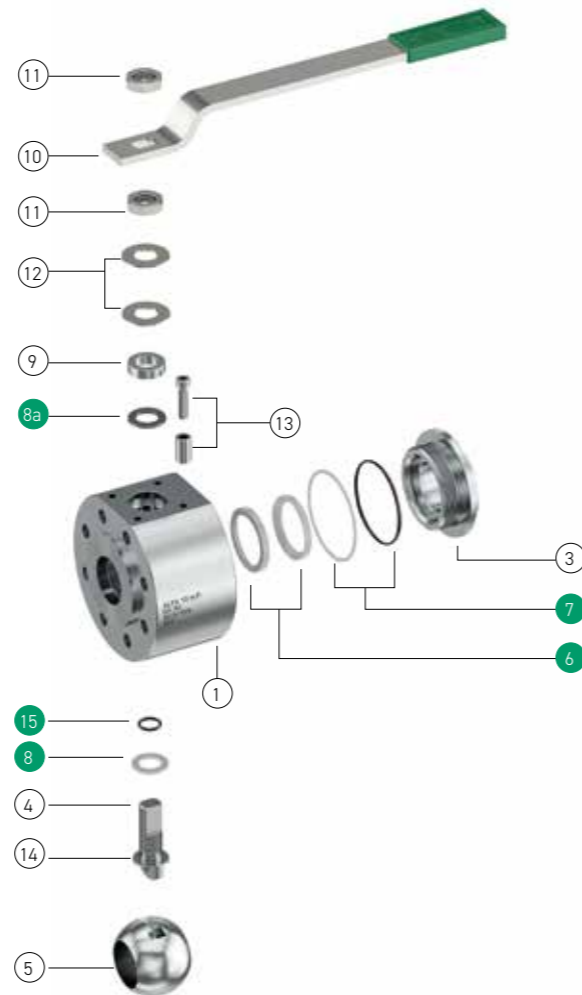


Product codes in bold are related to product available on stock; delivery time within 3 weeks based on ordered quantity.
 All other codes are related to product ready for assembly; delivery time within 5 weeks based on ordered quantity.
 Missing Sizes and Special Executions are available upon request. Please contact Sales Dept. for availability and delivery time.
I codici in grassetto indicano prodotti normalmente disponibili a stock; consegna entro 3 settimane secondo quantità ordinate.
 Gli altri codici indicano prodotti disponibili per assemblaggio; consegna entro 5 settimane secondo quantità ordinate.
 Dimensioni mancanti ed esecuzioni speciali sono disponibili su richiesta. Si prega contattare Ufficio commerciale per disponibilità e consegne.



A10HP ANSI 600 wafer type ball valve

PART NAME PARTICOLARE	Q.TY Q.TA'	MATERIALS MATERIALI	
1 body corpo	1	ASTM A105	ASTM A479 316/316L
3 closure chiusura	1	ASTM A105	ASTM A479 316/316L
4 stem stelo	1	ASTM A182 F51	
5 ball sfera	1	ASTM A351 CF8	ASTM A351 CF8M
6 seats sedi	2	TFM / P.T.F.E. + A.M. (DN > 40)	
7 body gasket guarnizione corpo	1	P.T.F.E. / GRAPHOIL (DN > 50)	
8 washer bussola	1	P.T.F.E.	
8a stem gasket guarnizione stelo	1	GRAPHOIL	
9 gland premi-guarnizione	1	Carbon Steel Zinc Coated	Stainless Steel 316
10 lever leva	1	Carbon Steel Zinc Coated	
11 stem nut dado stelo	2	Cl. 8	A4-40 (AISI 316)
12 spring washer molla a tazza	2	51CrV4 Zinc Coated	AISI 316
13 stop device dispositivo di arresto	1	Cl. 8.8 Zinc Coated	AISI 316
14 antistatic device dispositivo antistatico	2	AISI 316	
15 stem o-ring o-ring stelo	1	VITON 90 Sh. A AED	
16 body o-ring (DN>50) o-ring corpo	1	VITON 90 Sh. A AED	



Spares parts / Parti di ricambio

STANDARD FEATURES CARATTERISTICHE STANDARD

Flange Facing RF according / Finitura Flange secondo : ASME B16.5
Flange drilling, metric holes according / Foratura flange, fori metrici secondo : ASME B16.5, ANSI 600
Face to face / Scartamento : EN 558-1
Design according to / Progettazione secondo : ASME B16.34, EN 12516-1, PED 2014/68/UE
Fire Safe Design and Construction according to / Costruzione e assemblaggio Fire Safe secondo : EN ISO 10497, API 6FA, API 607
Antistatic Device according to / Dispositivo antistatico secondo : BS 5146
Tightness class / Classe di tenuta : VI (FCI 70-2 - ANSI B 16.104)
Stem sealing with O-ring, Anti Blow-out stem / Tenuta stelo con O-Ring, stelo anti-espulsione
Actuator coupling flange according to / Flangia integrata per montaggio comando secondo : ISO 5211

A10HP ANSI 600 CARBON STEEL BODY / CORPO ACCIAIO AL CARBONIO

DN	VALVE RATING	VALVE CODE	DESCRIPTION	VALVE PRICE (€)	KIT CODE	KIT PRICE (€)
15	ANSI 600	A1H15A4C5-0001-M0010	ALFA10HP DN15 ANSI600 A105 FS RF MET		KGA1H15A4-001	
20	ANSI 600	A1H20A4C5-0001-M0010	ALFA10HP DN20 ANSI600 A105 FS RF MET		KGA1H20A4-001	
25	ANSI 600	A1H25A4C5-0001-M0010	ALFA10HP DN25 ANSI600 A105 FS RF MET		KGA1H25A4-001	
32	ANSI 600	A1H32A4C5-0001-M0010	ALFA10HP DN32 ANSI600 A105 FS RF MET		KGA1H32A4-001	
40	ANSI 600	A1H40A4C5-0001-M0010	ALFA10HP DN40 ANSI600 A105 FS RF MET		KGA1H40A4-001	
50	ANSI 600	A1H50A4C5-0001-M0010	ALFA10HP DN50 ANSI600 A105 FS RF MET		KGA1H50A4-001	
65	ANSI 600	A1H65A4C5-0001-M0010	ALFA10HP DN65 ANSI600 A105 FS RF MET		KGA1H65A4-001	
80	ANSI 600	A1H80A4C5-0001-M0010	ALFA10HP DN80 ANSI600 A105 FS RF MET		KGA1H80A4-001	
100	ANSI 600	A1HA0A4C5-0001-K0010	ALFA10HP DN100 ANSI600 A105 FS RF MET BS		KGA1HA0A4-001	(*)

(*) BARE STEM VALVE-VALVOLA A STELO NUDO

A10HP ANSI 600 STAINLESS STEEL BODY / CORPO ACCIAIO INOSSIDABILE

DN	VALVE RATING	VALVE CODE	DESCRIPTION	VALVE PRICE (€)	KIT CODE	KIT PRICE (€)
15	ANSI 600	A1H15A4SD-0001-M0000	ALFA10HP DN15 ANSI600 316/316L FS RF MET		KGA1H15A4-001	
20	ANSI 600	A1H20A4SD-0001-M0000	ALFA10HP DN20 ANSI600 316/316L FS RF MET		KGA1H20A4-001	
25	ANSI 600	A1H25A4SD-0001-M0000	ALFA10HP DN25 ANSI600 316/316L FS RF MET		KGA1H25A4-001	
32	ANSI 600	A1H32A4SD-0001-M0000	ALFA10HP DN32 ANSI600 316/316L FS RF MET		KGA1H32A4-001	
40	ANSI 600	A1H40A4SD-0001-M0000	ALFA10HP DN40 ANSI600 316/316L FS RF MET		KGA1H40A4-001	
50	ANSI 600	A1H50A4SD-0001-M0000	ALFA10HP DN50 ANSI600 316/316L FS RF MET		KGA1H50A4-001	
65	ANSI 600	A1H65A4SD-0001-M0000	ALFA10HP DN65 ANSI600 316/316L FS RF MET		KGA1H65A4-001	
80	ANSI 600	A1H80A4SD-0001-M0000	ALFA10HP DN80 ANSI600 316/316L FS RF MET		KGA1H80A4-001	
100	ANSI 600	A1HA0A4SD-0001-K0000	ALFA10HP DN100 ANSI600 316/316L FS RF MET BS		KGA1HA0A4-001	(*)

(*) BARE STEM VALVE - VALVOLA A STELO NUDO



Product codes in bold are related to product available on stock; delivery time within 3 weeks based on ordered quantity.

All other codes are related to product ready for assembly; delivery time within 5 weeks based on ordered quantity.

Missing Sizes and Special Executions are available upon request. Please contact Sales Dept. for availability and delivery time

I codici in grassetto indicano prodotti normalmente disponibili a stock; consegna entro 3 settimane secondo quantità ordinate

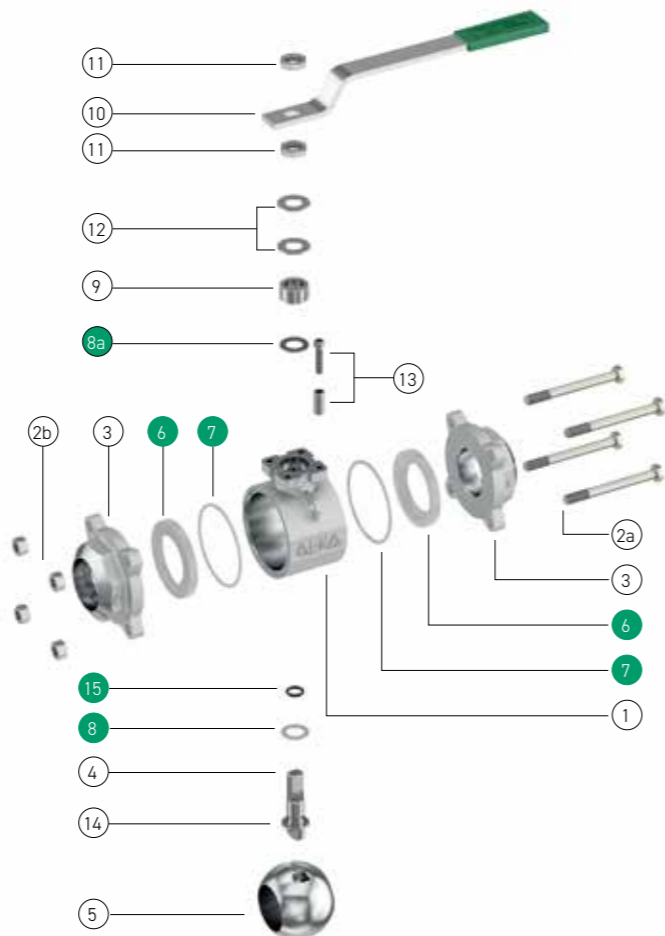
Gli altri codici indicano prodotti disponibili per assemblaggio; consegna entro 5 settimane secondo quantità ordinate

Dimensioni mancanti ed esecuzioni speciali sono disponibili su richiesta. Si prega contattare Ufficio commerciale per disponibilità e consegne



A24K PN40-63 3 pieces type ball valve

PART NAME PARTICOLARE	Q.TY Q.TA'	MATERIALS MATERIALI	
1 body corpo	1	ASTM A216 WCB	ASTM A351 CF8M
2a screw vite	4/6	ASTM A453 Gr.660A	A4-70
2b nut dado	4/6	ASTM A453 Gr.660A	A4-70
3 closure chiusura	2	ASTM A216 WCB	ASTM A351 CF8M
4 stem stelo	1	ASTM A479 F6a (AISI 410)	ASTM A182 316/316L
5 ball sfera	1	ASTM A351 CF8	ASTM A351 CF8M
6 seats sedi	2	TFM	
7 body gasket guarnizione corpo	2	GRAPHOIL	P.T.F.E.
8 washer bussola	1	P.T.F.E.	
8a stem gasket guarnizione stelo	1	GRAPHOIL	P.T.F.E.
9 gland preguarnizione	1	Carbon Steel Zinc Coated	Stainless Steel 316
10 lever leva	1	Carbon Steel Zinc Coated	
11 stem nut dado stelo	2	Cl. 8	A4-40 (AISI 316)
12 spring washer molla a tazza	2	51CrV4 Zinc Coated	AISI 316
13 stop device dispositivo di arresto	1	Cl.8.8 Zinc Coated	AISI 316
14 antistatic device dispositivo antistatico	2	AISI 316	
15 stem O-ring O-ring stelo	1	VITON 75 Sh. A	



STANDARD FEATURES CARATTERISTICHE STANDARD

Flange Facing / Finitura Flange : NPT (ASME B1.20.1)-GAS (ISO 228/1)-BW Sch.40(ASME B16.25)
SW (ASME B16.11)

Face to face / Scartamento : DIN 3203-M3

Design according to / Progettazione secondo : ASME B16.34, EN 12516-1, PED 2014/68/UE

Fire Safe Design and Construction according to / Costruzione e assemblaggio Fire Safe secondo :
EN ISO 10497, API 6FA, API 607 (Standard only for WCB)

Antistatic Device according to / Dispositivo antistatico secondo : BS 5146

Tightness class / Classe di tenuta : VI (FCI 70-2 - ANSI B 16.104)

Stem sealing with O-ring, Anti Blow-out stem / Tenuta stelo con O-Ring, stelo anti-espulsione

Actuator coupling flange according to / Flangia integrata per montaggio comando secondo : ISO 5211

A24K PN 40-63 CARBON STEEL BODY / CORPO ACCIAIO AL CARBONIO STANDARD EXECUTION: FIRE SAFE

WCB

DN	VALVE RATING	VALVE CODE	DESCRIPTION	VALVE PRICE (€)	KIT CODE	KIT PRICE (€)
06	PN63	A2406UAC1-0003-M0000	ALFA24K DN06 PN63 WCB GAS FS		N.A. (*)	
06	PN63	A2406UAC1-0004-M0000	ALFA24K DN06 PN63 WCB NPT FS		N.A. (*)	
06	PN63	A2406UAC1-0005-M0000	ALFA24K DN06 PN63 WCB BW FS		N.A. (*)	
06	PN63	A2406UAC1-0002-M0000	ALFA24K DN06 PN63 WCB SW FS		N.A. (*)	
10	PN63	A2410UAC1-0002-M0000	ALFA24K DN10 PN63 WCB GAS FS		N.A. (*)	
10	PN63	A2410UAC1-0001-M0000	ALFA24K DN10 PN63 WCB NPT FS		N.A. (*)	
10	PN63	A2410UAC1-0004-M0000	ALFA24K DN10 PN63 WCB BW FS		N.A. (*)	
10	PN63	A2410UAC1-0003-M0000	ALFA24K DN10 PN63 WCB SW FS		N.A. (*)	
15	PN63	A2415UAC1-0002-M0000	ALFA24K DN15 PN63 WCB GAS FS		KGA2415UA-002	
15	PN63	A2415UAC1-0001-M0000	ALFA24K DN15 PN63 WCB NPT FS		KGA2415UA-002	
15	PN63	A2415UAC1-0004-M0000	ALFA24K DN15 PN63 WCB BW FS		KGA2415UA-002	
15	PN63	A2415UAC1-0003-M0000	ALFA24K DN15 PN63 WCB SW FS		KGA2415UA-002	
20	PN63	A2420UAC1-0002-M0000	ALFA24K DN20 PN63 WCB GAS FS		KGA2420UA-002	
20	PN63	A2420UAC1-0001-M0000	ALFA24K DN20 PN63 WCB NPT FS		KGA2420UA-002	
20	PN63	A2420UAC1-0004-M0000	ALFA24K DN20 PN63 WCB BW FS		KGA2420UA-002	
20	PN63	A2420UAC1-0003-M0000	ALFA24K DN20 PN63 WCB SW FS		KGA2420UA-002	
25	PN63	A2425UAC1-0002-M0000	ALFA24K DN25 PN63 WCB GAS FS		KGA2425UA-002	
25	PN63	A2425UAC1-0001-M0000	ALFA24K DN25 PN63 WCB NPT FS		KGA2425UA-002	
25	PN63	A2425UAC1-0004-M0000	ALFA24K DN25 PN63 WCB BW FS		KGA2425UA-002	
25	PN63	A2425UAC1-0003-M0000	ALFA24K DN25 PN63 WCB SW FS		KGA2425UA-002	
32	PN63	A2432UAC1-0002-M0000	ALFA24K DN32 PN63 WCB GAS FS		KGA2432UA-002	
32	PN63	A2432UAC1-0001-M0000	ALFA24K DN32 PN63 WCB NPT FS		KGA2432UA-002	
32	PN63	A2432UAC1-0004-M0000	ALFA24K DN32 PN63 WCB BW FS		KGA2432UA-002	
32	PN63	A2432UAC1-0003-M0000	ALFA24K DN32 PN63 WCB SW FS		KGA2432UA-002	
40	PN63	A2440UAC1-0002-M0000	ALFA24K DN40 PN63 WCB GAS FS		KGA2440UA-002	
40	PN63	A2440UAC1-0001-M0000	ALFA24K DN40 PN63 WCB NPT FS		KGA2440UA-002	
40	PN63	A2440UAC1-0004-M0000	ALFA24K DN40 PN63 WCB BW FS		KGA2440UA-002	
40	PN63	A2440UAC1-0003-M0000	ALFA24K DN40 PN63 WCB SW FS		KGA2440UA-002	
50	PN40	A2450U9C1-0002-M0000	ALFA24K DN50 PN40 WCB GAS FS		KGA2450U9-003	
50	PN40	A2450U9C1-0001-M0000	ALFA24K DN50 PN40 WCB NPT FS		KGA2450U9-003	
50	PN40	A2450U9C1-0004-M0000	ALFA24K DN50 PN40 WCB BW FS		KGA2450U9-003	
50	PN40	A2450U9C1-0003-M0000	ALFA24K DN50 PN40 WCB SW FS		KGA2450U9-003	
80	PN40	A2480U9C1-0001-M0000	ALFA24K DN80 PN40 WCB NPT FS		KGA2480U9-002	

(*) FOR VALVES DN06/DN10 SPARE PARTS KIT WILL NOT BE AVAILABLE - I KIT DI RICAMBIO NON SONO DISPONIBILI PER VALVOLE DN06/10



Product codes in bold are related to product available on stock; delivery time within 3 weeks based on ordered quantity.

All other codes are related to product ready for assembly; delivery time within 5 weeks based on ordered quantity.

Missing Sizes and Special Executions are available upon request. Please contact Sales Dept. for availability and delivery time

I codici in grassetto indicano prodotti normalmente disponibili a stock; consegna entro 3 settimane secondo quantità ordinate

Gli altri codici indicano prodotti disponibili per assemblaggio; consegna entro 5 settimane secondo quantità ordinate

Dimensioni mancanti ed esecuzioni speciali sono disponibili su richiesta. Si prega contattare Ufficio commerciale per disponibilità e consegne

A24K PN 40-63

STAINLESS STEEL BODY / CORPO ACCIAIO INOSSIDABILE

STANDARD EXECUTION: NO FIRE SAFE

DN	VALVE RATING	VALVE CODE	DESCRIPTION	VALVE PRICE (€)	KIT CODE	KIT PRICE (€)
06	PN63	A2406UAS2-0002-M0000	ALFA24K DN06 PN63 CF8M GAS		N.A. (*)	
06	PN63	A2406UAS2-0001-M0000	ALFA24K DN06 PN63 CF8M NPT		N.A. (*)	
06	PN63	A2406UAS2-0004-M0000	ALFA24K DN06 PN63 CF8M BW		N.A. (*)	
06	PN63	A2406UAS2-0003-M0000	ALFA24K DN06 PN63 CF8M SW		N.A. (*)	
10	PN63	A2410UAS2-0002-M0000	ALFA24K DN10 PN63 CF8M GAS		N.A. (*)	
10	PN63	A2410UAS2-0001-M0000	ALFA24K DN10 PN63 CF8M NPT		N.A. (*)	
10	PN63	A2410UAS2-0004-M0000	ALFA24K DN10 PN63 CF8M BW		N.A. (*)	
10	PN63	A2410UAS2-0003-M0000	ALFA24K DN10 PN63 CF8M SW		N.A. (*)	
15	PN63	A2415UAS2-0004-M0000	ALFA24K DN15 PN63 CF8M GAS		KGA2415UA-001	
15	PN63	A2415UAS2-0001-M0000	ALFA24K DN15 PN63 CF8M NPT		KGA2415UA-001	
15	PN63	A2415UAS2-0008-M0000	ALFA24K DN15 PN63 CF8M BW		KGA2415UA-001	
15	PN63	A2415UAS2-0006-M0000	ALFA24K DN15 PN63 CF8M SW		KGA2415UA-001	
20	PN63	A2420UAS2-0004-M0000	ALFA24K DN20 PN63 CF8M GAS		KGA2420UA-001	
20	PN63	A2420UAS2-0003-M0000	ALFA24K DN20 PN63 CF8M NPT		KGA2420UA-001	
20	PN63	A2420UAS2-0006-M0000	ALFA24K DN20 PN63 CF8M BW		KGA2420UA-001	
20	PN63	A2420UAS2-0005-M0000	ALFA24K DN20 PN63 CF8M SW		KGA2420UA-001	
25	PN63	A2425UAS2-0004-M0000	ALFA24K DN25 PN63 CF8M GAS		KGA2425UA-001	
25	PN63	A2425UAS2-0002-M0000	ALFA24K DN25 PN63 CF8M NPT		KGA2425UA-001	
25	PN63	A2425UAS2-0005-M0000	ALFA24K DN25 PN63 CF8M BW		KGA2425UA-001	
25	PN63	A2425UAS2-0003-M0000	ALFA24K DN25 PN63 CF8M SW		KGA2425UA-001	
32	PN63	A2432UAS2-0003-M0000	ALFA24K DN32 PN63 CF8M GAS		KGA2432UA-001	
32	PN63	A2432UAS2-0002-M0000	ALFA24K DN32 PN63 CF8M NPT		KGA2432UA-001	
32	PN63	A2432UAS2-0005-M0000	ALFA24K DN32 PN63 CF8M BW		KGA2432UA-001	
32	PN63	A2432UAS2-0004-M0000	ALFA24K DN32 PN63 CF8M SW		KGA2432UA-001	
40	PN63	A2440UAS2-0006-M0000	ALFA24K DN40 PN63 CF8M GAS		KGA2440UA-001	
40	PN63	A2440UAS2-0005-M0000	ALFA24K DN40 PN63 CF8M NPT		KGA2440UA-001	
40	PN63	A2440UAS2-0008-M0000	ALFA24K DN40 PN63 CF8M BW		KGA2440UA-001	
40	PN63	A2440UAS2-0007-M0000	ALFA24K DN40 PN63 CF8M SW		KGA2440UA-001	
50	PN40	A2450U9S2-0002-M0000	ALFA24K DN50 PN40 CF8M GAS		KGA2450U9-001	
50	PN40	A2450U9S2-0001-M0000	ALFA24K DN50 PN40 CF8M NPT		KGA2450U9-001	
50	PN40	A2450U9S2-0004-M0000	ALFA24K DN50 PN40 CF8M BW		KGA2450U9-001	
50	PN40	A2450U9S2-0003-M0000	ALFA24K DN50 PN40 CF8M SW		KGA2450U9-001	
80	PN40	A2480UA0962-0004-M0000	ALFA24K DN80 PN40 CF8M BW		KGA2480U9-001	

(*) FOR VALVES DN06/DN10 SPARE PARTS KIT WILL NOT BE AVAILABLE - I KIT DI RICAMBIO NON SONO DISPONIBILI PER VALVOLE DN06/10

CF8M



Product codes in bold are related to product available on stock: delivery time within 3 weeks based on ordered quantity.

All other codes are related to product ready for assembly: delivery time within 5 weeks based on ordered quantity.

Missing Sizes and Special Executions are available upon request. Please contact Sales Dept. for availability and delivery time

I codici in grassetto indicano prodotti normalmente disponibili a stock: consegna entro 3 settimane secondo quantità ordinate

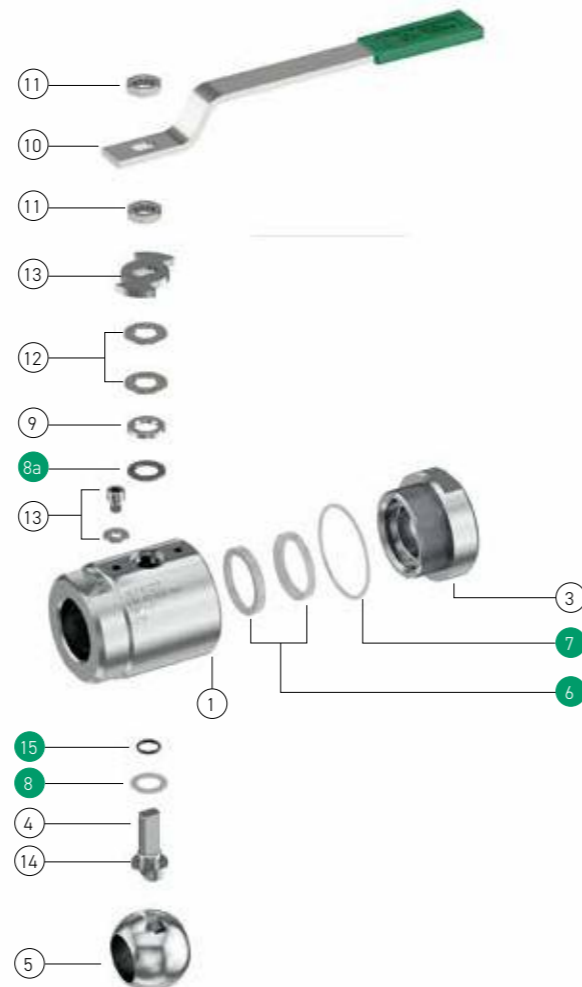
Gli altri codici indicano prodotti disponibili per assemblaggio: consegna entro 5 settimane secondo quantità ordinate

Dimensioni mancanti ed esecuzioni speciali sono disponibili su richiesta. Si prega contattare Ufficio commerciale per disponibilità e consegne



A20T 800lb screwed body type ball valve - full bore

PART NAME PARTICOLARE	Q.TY Q.TA'	MATERIALS MATERIALI	
1 body corpo	1	ASTM A105N/LF2	ASTM A479 316/316L
3 closure chiusura	1	ASTM A105N/LF2	ASTM A479 316/316L
4 stem stelo	1	ASTM A182 F51	
5 ball sfera	1	ASTM A351 CF8	ASTM A351 CF8M
6 seats sedi	2	TFM	
7 body gasket guarnizione corpo	1	P.T.F.E.	
8 washer bussola	1	P.T.F.E.	
8a stem gasket guarnizione stelo	1	GRAPHOIL	
9 gland premi-guarnizione	1	Carbon steel Zinc Coated	Stainless Steel 316
10 lever leva	1	Carbon steel Zinc Coated	
11 stem nut dado stelo	2	CL8	A4-40 (AISI 316)
12 spring washer molla a tazza	2	51 CrV4 Zinc coated	AISI 316
13 stop device dispositivo di arresto	1	Cl. 8.8 Zinc Coated	AISI 316
14 antistatic device dispositivo antistatico	1	AISI 316	
15 stem o-ring o-ring stelo	1	VITON 75 Sh. A	



Spares parts / Parti di ricambio

STANDARD FEATURES CARATTERISTICHE STANDARD

Flange Facing / Finitura Flange : NPT (ASME B1.20.1)-GAS (ISO 228/1)-BW Sch.80 (ASME B16.25)
SW (ASME B16.11)

Face to face / Scartamento : Manufacturer standard

Design according to / Progettazione secondo : ASME B16.34, EN 12516-1, EN 17292, PED 2014/68/UE

Fire Safe Design and Construction according to / Costruzione e assemblaggio Fire Safe secondo :
EN ISO 10497, API 6FA, API 607

Antistatic Device according to / Dispositivo antistatico secondo : BS 5146

Tightness class / Classe di tenuta : VI (FCI 70-2 - ANSI B 16.104)

Stem sealing with O-ring, Anti Blow-out stem / Tenuta stelo con O-Ring, stelo anti-espulsione

A20T 800lb CARBON STEEL BODY / CORPO ACCIAIO AL CARBONIO

DN	VALVE RATING	VALVE CODE	DESCRIPTION	VALVE PRICE (€)	KIT CODE	KIT PRICE (€)
06	800lb	A2T06P3CN-0002-M0090	ALFA20T DN06 800lb A105N GAS FS		N.A. (*)	
06	800lb	A2T06P3CN-0001-M0090	ALFA20T DN06 800lb A105N NPT FS		N.A. (*)	
10	800lb	A2T10P3CN-0002-M0090	ALFA20T DN10 800lb A105N GAS FS		N.A. (*)	
10	800lb	A2T10P3CN-0001-M0090	ALFA20T DN10 800lb A105N NPT FS		N.A. (*)	
15	800lb	A2T15P3CN-0002-M0090	ALFA20T DN15 800lb A105N GAS FS		KGA2T15P3-001	
15	800lb	A2T15P3CN-0001-M0090	ALFA20T DN15 800lb A105N NPT FS		KGA2T15P3-001	
15	800lb	A2T15P3CN-0002-M0010	ALFA20T DN15 800lb A105N BW FS		KGA2T15P3-001	
15	800lb	A2T15P3CN-0001-M0010	ALFA20T DN15 800lb A105N SW FS		KGA2T15P3-001	
20	800lb	A2T20P3CN-0002-M0090	ALFA20T DN20 800lb A105N GAS FS		KGA2T20P3-001	
20	800lb	A2T20P3CN-0001-M0090	ALFA20T DN20 800lb A105N NPT FS		KGA2T20P3-001	
20	800lb	A2T20P3CN-0002-M0010	ALFA20T DN20 800lb A105N BW FS		KGA2T20P3-001	
20	800lb	A2T20P3CN-0001-M0010	ALFA20T DN20 800lb A105N SW FS		KGA2T20P3-001	
25	800lb	A2T25P3CN-0002-M0090	ALFA20T DN25 800lb A105N GAS FS		KGA2T25P3-001	
25	800lb	A2T25P3CN-0001-M0090	ALFA20T DN25 800lb A105N NPT FS		KGA2T25P3-001	
25	800lb	A2T25P3CN-0002-M0010	ALFA20T DN25 800lb A105N BW FS		KGA2T25P3-001	
25	800lb	A2T25P3CN-0001-M0010	ALFA20T DN25 800lb A105N SW FS		KGA2T25P3-001	
32	800lb	A2T32P3CN-0002-M0090	ALFA20T DN32 800lb A105N GAS FS		KGA2T32P3-001	
32	800lb	A2T32P3CN-0001-M0090	ALFA20T DN32 800lb A105N NPT FS		KGA2T32P3-001	
40	800lb	A2T40P3CN-0002-M0090	ALFA20T DN40 800lb A105N GAS FS		KGA2T40P3-001	
40	800lb	A2T40P3CN-0001-M0090	ALFA20T DN40 800lb A105N NPT FS		KGA2T40P3-001	
40	800lb	A2T40P3CN-0002-M0010	ALFA20T DN40 800lb A105N BW FS		KGA2T40P3-001	
40	800lb	A2T40P3CN-0001-M0010	ALFA20T DN40 800lb A105N SW FS		KGA2T40P3-001	
50	800lb	A2T50P3CN-0002-M0090	ALFA20T DN50 800lb A105N GAS FS		KGA2T50P3-001	
50	800lb	A2T50P3CN-0001-M0090	ALFA20T DN50 800lb A105N NPT FS		KGA2T50P3-001	

A105N
(LF2)

(*) FOR VALVES DN06/DN10 SPARE PARTS KIT WILL NOT BE AVAILABLE - I KIT DI RICAMBIO NON SONO DISPONIBILI PER VALVOLE DN06/10

A20T 800lb STAINLESS STEEL BODY / CORPO ACCIAIO INOSSIDABILE

DN	VALVE RATING	VALVE CODE	DESCRIPTION	VALVE PRICE (€)	KIT CODE	KIT PRICE (€)
06	800lb	A2T06P3SD-0002-M0000	ALFA20T DN06 800lb 316/316L GAS FS		N.A. (*)	
06	800lb	A2T06P3SD-0001-M0000	ALFA20T DN06 800lb 316/316L NPT FS		N.A. (*)	
10	800lb	A2T10P3SD-0002-M0000	ALFA20T DN10 800lb 316/316L GAS FS		N.A. (*)	
10	800lb	A2T10P3SD-0001-M0000	ALFA20T DN10 800lb 316/316L NPT FS		N.A. (*)	
15	800lb	A2T15P3SD-0002-M0000	ALFA20T DN15 800lb 316/316L GAS FS		KGA2T15P3-001	
15	800lb	A2T15P3SD-0001-M0000	ALFA20T DN15 800lb 316/316L NPT FS		KGA2T15P3-001	
15	800lb	A2T15P3SD-0004-M0000	ALFA20T DN15 800lb 316/316L BW FS		KGA2T15P3-001	
15	800lb	A2T15P3SD-0003-M0000	ALFA20T DN15 800lb 316/316L SW FS		KGA2T15P3-001	
20	800lb	A2T20P3SD-0003-M0000	ALFA20T DN20 800lb 316/316L GAS FS		KGA2T20P3-001	
20	800lb	A2T20P3SD-0004-M0000	ALFA20T DN20 800lb 316/316L NPT FS		KGA2T20P3-001	
20	800lb	A2T20P3SD-0006-M0000	ALFA20T DN20 800lb 316/316L BW FS		KGA2T20P3-001	
20	800lb	A2T20P3SD-0005-M0000	ALFA20T DN20 800lb 316/316L SW FS		KGA2T20P3-001	
25	800lb	A2T25P3SD-0003-M0000	ALFA20T DN25 800lb 316/316L GAS FS		KGA2T25P3-001	
25	800lb	A2T25P3SD-0001-M0000	ALFA20T DN25 800lb 316/316L NPT FS		KGA2T25P3-001	
25	800lb	A2T25P3SD-0005-M0000	ALFA20T DN25 800lb 316/316L BW FS		KGA2T25P3-001	
25	800lb	A2T25P3SD-0004-M0000	ALFA20T DN25 800lb 316/316L SW FS		KGA2T25P3-001	
40	800lb	A2T40P3SD-0002-M0000	ALFA20T DN40 800lb 316/316L GAS FS		KGA2T40P3-001	
40	800lb	A2T40P3SD-0001-M0000	ALFA20T DN40 800lb 316/316L NPT FS		KGA2T40P3-001	
40	800lb	A2T40P3SD-0004-M0000	ALFA20T DN40 800lb 316/316L BW FS		KGA2T40P3-001	
40	800lb	A2T40P3SD-0003-M0000	ALFA20T DN40 800lb 316/316L SW FS		KGA2T40P3-001	
50	800lb	A2T50P3SD-0002-M0000	ALFA20T DN50 800lb 316/316L GAS FS		KGA2T50P3-001	
50	800lb	A2T50P3SD-0001-M0000	ALFA20T DN50 800lb 316/316L NPT FS		KGA2T50P3-001	
50	800lb	A2T50P3SD-0004-M0000	ALFA20T DN50 800lb 316/316L BW FS		KGA2T50P3-001	
50	800lb	A2T50P3SD-0003-M0000	ALFA20T DN50 800lb 316/316L SW FS		KGA2T50P3-001	

316(L)

(*) FOR VALVES DN06/DN10 SPARE PARTS KIT WILL NOT BE AVAILABLE - I KIT DI RICAMBIO NON SONO DISPONIBILI PER VALVOLE DN06/10



Product codes in bold are related to product available on stock; delivery time within 3 weeks based on ordered quantity.

All other codes are related to product ready for assembly; delivery time within 5 weeks based on ordered quantity.

Missing Sizes and Special Executions are available upon request. Please contact Sales Dept. for availability and delivery time

I codici in grassetto indicano prodotti normalmente disponibili a stock; consegna entro 3 settimane secondo quantità ordinate

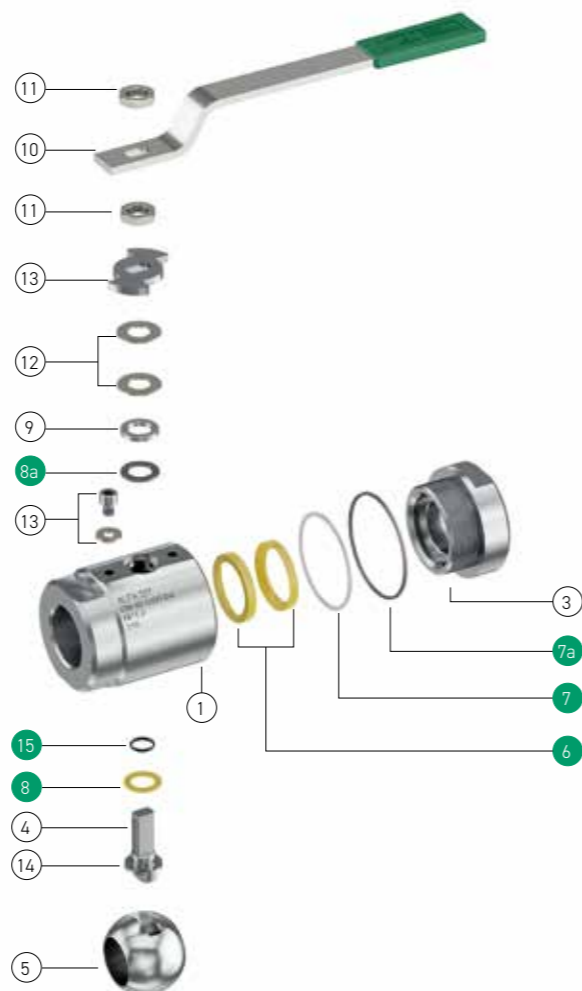
Gli altri codici indicano prodotti disponibili per assemblaggio; consegna entro 5 settimane secondo quantità ordinate

Dimensioni mancanti ed esecuzioni speciali sono disponibili su richiesta. Si prega contattare Ufficio commerciale per disponibilità e consegne



A20T 1500lb screwed body type ball valve - full bore

PART NAME PARTICOLARE	Q.TY Q.TA'	MATERIALS MATERIALI	
1 body corpo	1	ASTM A105N/LF2	ASTM A479 316/316L
3 closure chiusura	1	ASTM A105N/LF2	ASTM A479 316/316L
4 stem stelo	1	ASTM A182 F51	
5 ball sfera	1	ASTM A351 CF8	ASTM A351 CF8M
6 seats sedi	2	DEVLON	
7 1 st body gasket guarnizione corpo int.	1	P.T.F.E.	
7a 2 nd body gasket guarnizione corpo est.	1	GRAPHOIL	
8 washer bussola	1	DEVLON	
8a stem gasket guarnizione stelo	1	GRAPHOIL	
9 gland premi-guarnizione	1	Carbon steel Zinc Coated	Stainless Steel 316
10 lever leva	1	Carbon steel Zinc Coated	
11 stem nut dado stelo	2	Cl.8	A4-40 (AISI 316)
12 spring washer molla a tazza	2	51 CrV4 Zinc coated	AISI 316
13 stop device dispositivo di arresto	1	Cl. 8.8 Zinc Coated	AISI 316
14 antistatic device dispositivo antistatico	1	AISI 316	
15 stem o-ring o-ring stelo	1	VITON 90 Sh. A AED	



Spares parts / Parti di ricambio

STANDARD FEATURES CARATTERISTICHE STANDARD

Flange Facing / Finitura Flange : NPT (ASME B1.20.1)-GAS (ISO 228/1)-BW Sch.80 (ASME B16.25)
SW (ASME B16.11)

Face to face / Scartamento : Manufacturer standard

Design according to / Progettazione secondo : ASME B16.34, EN 12516-1, EN 17292, PED 2014/68/UE

Fire Safe Design and Construction according to / Costruzione e assemblaggio Fire Safe secondo :
EN ISO 10497, API 6FA, API 607

Antistatic Device according to / Dispositivo antistatico secondo : BS 5146

Tightness class / Classe di tenuta : VI (FCI 70-2 - ANSI B 16.104)

Stem sealing with O-ring, Anti Blow-out stem / Tenuta stelo con O-Ring, stelo anti-espulsione

A20T 1500lb CARBON STEEL BODY / CORPO ACCIAIO AL CARBONIO

A105N
(LF2)

DN	VALVE RATING	VALVE CODE	DESCRIPTION	VALVE PRICE (€)	KIT CODE	KIT PRICE (€)
06	1500lb	A2T06P4CN-0002-M0090	ALFA20T DN06 1500lb A105N GAS FS		N.A. (*)	
06	1500lb	A2T06P4CN-0001-M0090	ALFA20T DN06 1500lb A105N NPT FS		N.A. (*)	
10	1500lb	A2T10P4CN-0002-M0090	ALFA20T DN10 1500lb A105N GAS FS		N.A. (*)	
10	1500lb	A2T10P4CN-0001-M0090	ALFA20T DN10 1500lb A105N NPT FS		N.A. (*)	
15	1500lb	A2T15P4CN-0002-M0090	ALFA20T DN15 1500lb A105N GAS FS		KGA2T15P4-001	
15	1500lb	A2T15P4CN-0001-M0090	ALFA20T DN15 1500lb A105N NPT FS		KGA2T15P4-001	
15	1500lb	A2T15P4CN-0002-M0010	ALFA20T DN15 1500lb A105N BW FS		KGA2T15P4-001	
15	1500lb	A2T15P4CN-0001-M0010	ALFA20T DN15 1500lb A105N SW FS		KGA2T15P4-001	
20	1500lb	A2T20P4CN-0002-M0090	ALFA20T DN20 1500lb A105N GAS FS		KGA2T20P4-001	
20	1500lb	A2T20P4CN-0001-M0090	ALFA20T DN20 1500lb A105N NPT FS		KGA2T20P4-001	
20	1500lb	A2T20P4CN-0002-M0010	ALFA20T DN20 1500lb A105N BW FS		KGA2T20P4-001	
20	1500lb	A2T20P4CN-0001-M0010	ALFA20T DN20 1500lb A105N SW FS		KGA2T20P4-001	
25	1500lb	A2T25P4CN-0002-M0090	ALFA20T DN25 1500lb A105N GAS FS		KGA2T25P4-001	
25	1500lb	A2T25P4CN-0001-M0090	ALFA20T DN25 1500lb A105N NPT FS		KGA2T25P4-001	
25	1500lb	A2T25P4CN-0002-M0010	ALFA20T DN25 1500lb A105N BW FS		KGA2T25P4-001	
25	1500lb	A2T25P4CN-0001-M0010	ALFA20T DN25 1500lb A105N SW FS		KGA2T25P4-001	
32	1500lb	A2T32P4CN-0002-M0090	ALFA20T DN32 1500lb A105N GAS FS		KGA2T32P4-001	
32	1500lb	A2T32P4CN-0001-M0090	ALFA20T DN32 1500lb A105N NPT FS		KGA2T32P4-001	
40	1500lb	A2T40P4CN-0002-M0090	ALFA20T DN40 1500lb A105N GAS FS		KGA2T40P4-001	
40	1500lb	A2T40P4CN-0001-M0090	ALFA20T DN40 1500lb A105N NPT FS		KGA2T40P4-001	
40	1500lb	A2T40P4CN-0002-M0010	ALFA20T DN40 1500lb A105N BW FS		KGA2T40P4-001	
40	1500lb	A2T40P4CN-0001-M0010	ALFA20T DN40 1500lb A105N SW FS		KGA2T40P4-001	
50	1500lb	A2T50P4CN-0002-M0090	ALFA20T DN50 1500lb A105N GAS FS		KGA2T50P4-001	
50	1500lb	A2T50P4CN-0001-M0090	ALFA20T DN50 1500lb A105N NPT FS		KGA2T50P4-001	

(*) FOR VALVES DN06/DN10 SPARE PARTS KIT WILL NOT BE AVAILABLE - I KIT DI RICAMBIO NON SONO DISPONIBILI PER VALVOLE DN06/10

A20T 1500lb STAINLESS STEEL BODY / CORPO ACCIAIO INOSSIDABILE

316(L)

DN	VALVE RATING	VALVE CODE	DESCRIPTION	VALVE PRICE (€)	KIT CODE	KIT PRICE (€)
06	1500lb	A2T06P4SD-0002-M0000	ALFA20T DN06 1500lb 316/316L GAS FS		N.A. (*)	
06	1500lb	A2T06P4SD-0001-M0000	ALFA20T DN06 1500lb 316/316L NPT FS		N.A. (*)	
10	1500lb	A2T10P4SD-0002-M0000	ALFA20T DN10 1500lb 316/316L GAS FS		N.A. (*)	
10	1500lb	A2T10P4SD-0001-M0000	ALFA20T DN10 1500lb 316/316L NPT FS		N.A. (*)	
15	1500lb	A2T15P4SD-0002-M0000	ALFA20T DN15 1500lb 316/316L GAS FS		KGA2T15P4-001	
15	1500lb	A2T15P4SD-0001-M0000	ALFA20T DN15 1500lb 316/316L NPT FS		KGA2T15P4-001	
15	1500lb	A2T15P4SD-0004-M0000	ALFA20T DN15 1500lb 316/316L BW FS		KGA2T15P4-001	
15	1500lb	A2T15P4SD-0003-M0000	ALFA20T DN15 1500lb 316/316L SW FS		KGA2T15P4-001	
20	1500lb	A2T20P4SD-0002-M0000	ALFA20T DN20 1500lb 316/316L GAS FS		KGA2T20P4-001	
20	1500lb	A2T20P4SD-0001-M0000	ALFA20T DN20 1500lb 316/316L NPT FS		KGA2T20P4-001	
20	1500lb	A2T20P4SD-0004-M0000	ALFA20T DN20 1500lb b 316/316L BW FS		KGA2T20P4-001	
20	1500lb	A2T20P4SD-0003-M0000	ALFA20T DN20 1500lb 316/316L SW FS		KGA2T20P4-001	
25	1500lb	A2T25P4SD-0002-M0000	ALFA20T DN25 1500lb 316/316L GAS FS		KGA2T25P4-001	
25	1500lb	A2T25P4SD-0001-M0000	ALFA20T DN25 1500lb 316/316L NPT FS		KGA2T25P4-001	
25	1500lb	A2T25P4SD-0004-M0000	ALFA20T DN25 1500lb 316/316L BW FS		KGA2T25P4-001	
25	1500lb	A2T25P4SD-0003-M0000	ALFA20T DN25 1500lb 316/316L SW FS		KGA2T25P4-001	
40	1500lb	A2T40P4SD-0002-M0000	ALFA20T DN40 1500lb 316/316L GAS FS		KGA2T40P4-001	
40	1500lb	A2T40P4SD-0001-M0000	ALFA20T DN40 1500lb 316/316L NPT FS		KGA2T40P4-001	
40	1500lb	A2T40P4SD-0004-M0000	ALFA20T DN40 1500lb 316/316L BW FS		KGA2T40P4-001	
40	1500lb	A2T40P4SD-0003-M0000	ALFA20T DN40 1500lb 316/316L SW FS		KGA2T40P4-001	
50	1500lb	A2T50P4SD-0002-M0000	ALFA20T DN50 1500lb 316/316L GAS FS		KGA2T50P4-001	
50	1500lb	A2T50P4SD-0001-M0000	ALFA20T DN50 1500lb 316/316L NPT FS		KGA2T50P4-001	
50	1500lb	A2T50P4SD-0004-M0000	ALFA20T DN50 1500lb 316/316L BW FS		KGA2T50P4-001	
50	1500lb	A2T50P4SD-0003-M0000	ALFA20T DN50 1500lb 316/316L SW FS		KGA2T50P4-001	

(*) FOR VALVES DN06/DN10 SPARE PARTS KIT WILL NOT BE AVAILABLE - I KIT DI RICAMBIO NON SONO DISPONIBILI PER VALVOLE DN06/10



Product codes in bold are related to product available on stock; delivery time within 3 weeks based on ordered quantity.

All other codes are related to product ready for assembly; delivery time within 5 weeks based on ordered quantity.

Missing Sizes and Special Executions are available upon request. Please contact Sales Dept. for availability and delivery time

I codici in grassetto indicano prodotti normalmente disponibili a stock; consegna entro 3 settimane secondo quantità ordinate

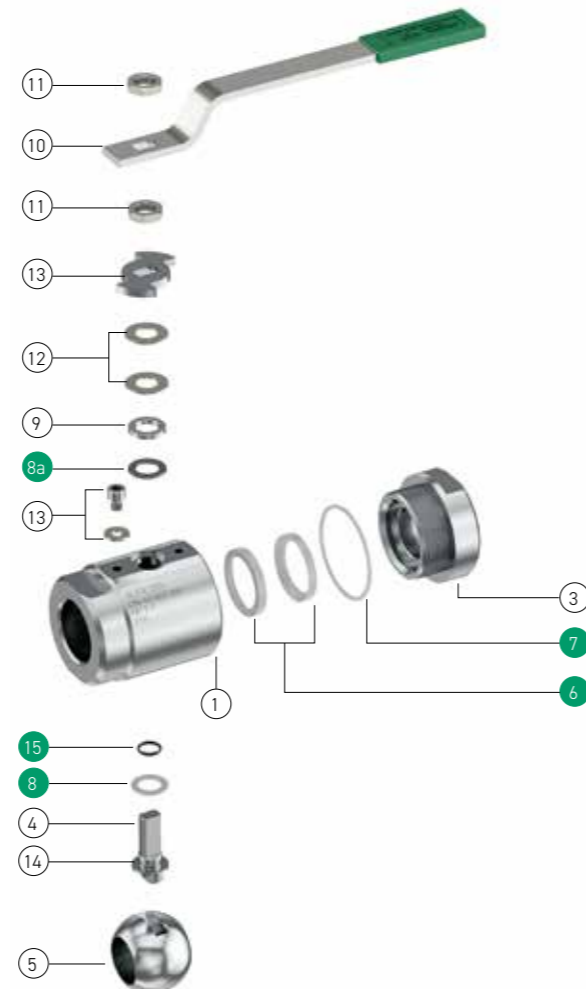
Gli altri codici indicano prodotti disponibili per assemblaggio; consegna entro 5 settimane secondo quantità ordinate

Dimensioni mancanti ed esecuzioni speciali sono disponibili su richiesta. Si prega contattare Ufficio commerciale per disponibilità e consegne



A20R 800lb screwed body type ball valve - reduced bore

PART NAME PARTICOLARE	Q.TY Q.TA'	MATERIALS MATERIALI	
1 body corpo	1	ASTM A105N/LF2	ASTM A479 316/316L
3 closure chiusura	1	ASTM A105N/LF2	ASTM A479 316/316L
4 stem stelo	1	ASTMA182 F51	ASTM A182 F51
5 ball sfera	1	ASTM A351 CF8	ASTM A351 CF8M
6 seats sedi	2		TFM
7 body gasket guarnizione corpo	1		P.T.F.E.
8 washer bussola	1		P.T.F.E.
8a stem gasket guarnizione stelo	1		GRAPHOIL
9 gland premi-guarnizione	1	Carbon steel Zinc Coated	Stainless Steel 316
10 lever leva	1		Carbon steel Zinc Coated
11 stem nut dado stelo	2	CL8	A4-40 (AISI 316)
12 spring washer molla a tazza	2	51 CrV4 Zinc coated	AISI 316
13 stop device dispositivo di arresto	1	Cl. 8.8 Zinc Coated	AISI 316
14 antistatic device dispositivo antistatico	1		AISI 316
15 stem o-ring o-ring stelo	1		VITON 75 Sh. A



Spares parts / Parti di ricambio

STANDARD FEATURES CARATTERISTICHE STANDARD

Flange Facing / Finitura Flange : NPT (ASME B1.20.1)-GAS (ISO 228/1)-BW Sch.80 (ASME B16.25)
SW (ASME B16.11)

Face to face / Scartamento : Manufacturer standard

Design according to / Progettazione secondo : ASME B16.34, EN 12516-1, EN 17292, PED 2014/68/UE

Fire Safe Design and Construction according to / Costruzione e assemblaggio Fire Safe secondo :
EN ISO 10497, API 6FA, API 607

Antistatic Device according to / Dispositivo antistatico secondo : BS 5146

Tightness class / Classe di tenuta : VI (FCI 70-2 - ANSI B 16.104)

Stem sealing with O-ring, Anti Blow-out stem / Tenuta stelo con O-Ring, stelo anti-espulsione

A20R 800lb CARBON STEEL BODY / CORPO ACCIAIO AL CARBONIO

A105N
(LF2)

DN	VALVE RATING	VALVE CODE	DESCRIPTION	VALVE PRICE (€)	KIT CODE	KIT PRICE (€)
15	800lb	A2R15P3CN-0001-M0090	ALFA20R DN15 800lb A105N GAS FS		N.A. (*)	
15	800lb	A2R15P3CN-0002-M0090	ALFA20R DN15 800lb A105N NPT FS		N.A. (*)	
15	800lb	A2R15P3CN-0002-M0010	ALFA20R DN15 800lb A105N BW FS		N.A. (*)	
15	800lb	A2R15P3CN-0001-M0010	ALFA20R DN15 800lb A105N SW FS		N.A. (*)	
20	800lb	A2R20P3CN-0002-M0090	ALFA20R DN20 800lb A105N GAS FS		KGA2T15P3-001	
20	800lb	A2R20P3CN-0001-M0090	ALFA20R DN20 800lb A105N NPT FS		KGA2T15P3-001	
20	800lb	A2R20P3CN-0002-M0010	ALFA20R DN20 800lb A105N BW FS		KGA2T15P3-001	
20	800lb	A2R20P3CN-0001-M0010	ALFA20R DN20 800lb A105N SW FS		KGA2T15P3-001	
25	800lb	A2R25P3CN-0002-M0090	ALFA20R DN25 800lb A105N GAS FS		KGA2T20P3-001	
25	800lb	A2R25P3CN-0001-M0090	ALFA20R DN25 800lb A105N NPT FS		KGA2T20P3-001	

(*) FOR VALVES DN15 SPARE PARTS KIT WILL NOT BE AVAILABLE - I KIT DI RICAMBIO NON SONO DISPONIBILI PER VALVOLE DN15

A20R 800lb STAINLESS STEEL BODY / CORPO ACCIAIO INOSSIDABILE

316(L)

DN	VALVE RATING	VALVE CODE	DESCRIPTION	VALVE PRICE (€)	KIT CODE	KIT PRICE (€)
15	800lb	A2R15P3SD-0002-M0000	ALFA20R DN15 800lb 316/316L GAS FS		N.A. (*)	
15	800lb	A2R15P3SD-0003-M0000	ALFA20R DN15 800lb 316/316L NPT FS		N.A. (*)	
20	800lb	A2R20P3SD-0002-M0000	ALFA20R DN20 800lb 316/316L GAS FS		KGA2T15P3-001	
20	800lb	A2R20P3SD-0001-M0000	ALFA20R DN20 800lb 316/316L NPT FS		KGA2T15P3-001	
25	800lb	A2R25P3SD-0002-M0000	ALFA20R DN25 800lb 316/316L GAS FS		KGA2T20P3-001	
25	800lb	A2R25P3SD-0001-M0000	ALFA20R DN25 800lb 316/316L NPT FS		KGA2T20P3-001	

(*) FOR VALVES DN15 SPARE PARTS KIT WILL NOT BE AVAILABLE - I KIT DI RICAMBIO NON SONO DISPONIBILI PER VALVOLE DN15



Product codes in bold are related to product available on stock; delivery time within 3 weeks based on ordered quantity.

All other codes are related to product ready for assembly; delivery time within 5 weeks based on ordered quantity.

Missing Sizes and Special Executions are available upon request. Please contact Sales Dept. for availability and delivery time

I codici in grassetto indicano prodotti normalmente disponibili a stock; consegna entro 3 settimane secondo quantità ordinate

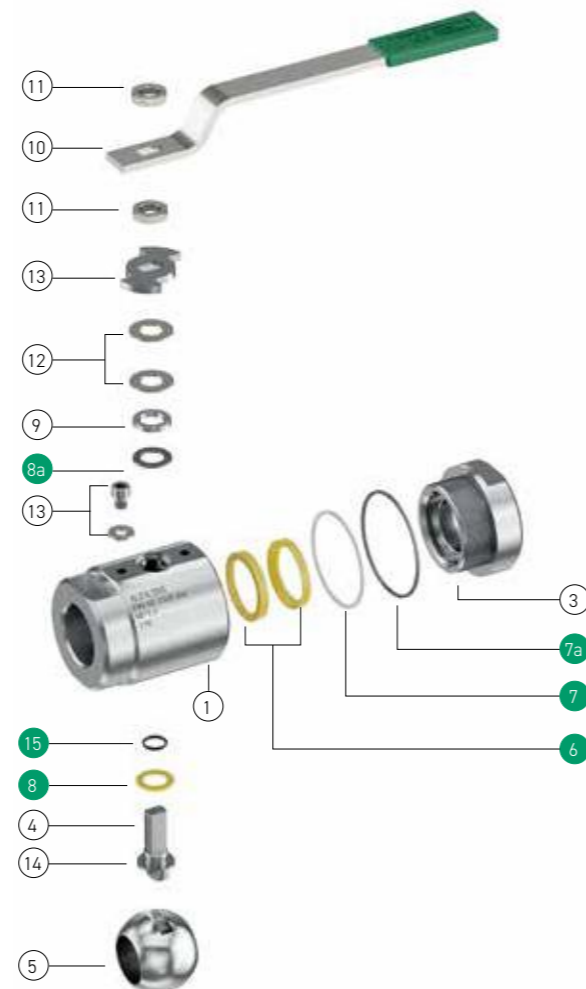
Gli altri codici indicano prodotti disponibili per assemblaggio; consegna entro 5 settimane secondo quantità ordinate

Dimensioni mancanti ed esecuzioni speciali sono disponibili su richiesta. Si prega contattare Ufficio commerciale per disponibilità e consegne



A20R 1500lb screwed body type ball valve - reduced bore

PART NAME PARTICOLARE	Q.TY Q.TA'	MATERIALS MATERIALI	
1 body corpo	1	ASTM A105N/LF2	ASTM A479 316/316L
3 closure chiusura	1	ASTM A105N/LF2	ASTM A479 316/316L
4 stem stelo	1	ASTM A182 F51	
5 ball sfera	1	ASTM A351 CF8	ASTM A351 CF8M
6 seats sedi	2	DEVLON	
7 1 st body gasket guarnizione corpo int.	1	P.T.F.E.	
7a 2 nd body gasket guarnizione corpo est.	1	GRAPHOIL	
8 washer bussola	1	DEVLON	
8a stem gasket guarnizione stelo	1	GRAPHOIL	
9 gland premi-guarnizione	1	Carbon steel Zinc Coated	Stainless Steel 316
10 lever leva	1	Carbon steel Zinc Coated	
11 stem nut dado stelo	2	Cl.8	A4-40 (AISI 316)
12 spring washer molla a tazza	2	51 CrV4 Zinc coated	AISI 316
13 stop device dispositivo di arresto	1	Cl. 8.8 Zinc Coated	AISI 316
14 antistatic device dispositivo antistatico	1	AISI 316	
15 stem o-ring o-ring stelo	1	VITON 90 Sh. A AED	



Spares parts / Parti di ricambio

STANDARD FEATURES CARATTERISTICHE STANDARD

Flange Facing / Finitura Flange : NPT (ASME B1.20.1)-GAS (ISO 228/1)-BW Sch.80 (ASME B16.25)
SW (ASME B16.11)

Face to face / Scartamento : Manufacturer standard

Design according to / Progettazione secondo : ASME B16.34, EN 12516-1, EN 17292, PED 2014/68/UE

Fire Safe Design and Construction according to / Costruzione e assemblaggio Fire Safe secondo :
EN ISO 10497, API 6FA, API 607

Antistatic Device according to / Dispositivo antistatico secondo : BS 5146

Tightness class / Classe di tenuta : VI (FCI 70-2 - ANSI B 16.104)

Stem sealing with O-ring, Anti Blow-out stem / Tenuta stelo con O-Ring, stelo anti-espulsione

A20R 1500lb CARBON STEEL BODY / CORPO ACCIAIO AL CARBONIO

DN	VALVE RATING	VALVE CODE	DESCRIPTION	VALVE PRICE (€)	KIT CODE	KIT PRICE (€)
15	1500b	A2R15P4CN-0001-M0090	ALFA20R DN15 1500lb A105N GAS FS		N.A. (*)	
15	1500b	A2R15P4CN-0002-M0090	ALFA20R DN15 1500lb A105N NPT FS		N.A. (*)	
15	1500b	A2R15P4CN-0002-M0010	ALFA20R DN15 1500lb A105N BW FS		N.A. (*)	
15	1500b	A2R15P4CN-0001-M0010	ALFA20R DN15 1500lb A105N SW FS		N.A. (*)	
20	1500b	A2R20P4CN-0002-M0090	ALFA20R DN20 1500lb A105N GAS FS		KGA2T15P4-001	
20	1500b	A2R20P4CN-0001-M0090	ALFA20R DN20 1500lb A105N NPT FS		KGA2T15P4-001	
20	1500b	A2R20P4CN-0002-M0010	ALFA20R DN20 1500lb A105N BW FS		KGA2T15P4-001	
20	1500b	A2R20P4CN-0001-M0010	ALFA20R DN20 1500lb A105N SW FS		KGA2T15P4-001	
25	1500b	A2R25P4CN-0002-M0090	ALFA20R DN25 1500lb A105N GAS FS		KGA2T20P4-001	
25	1500b	A2R25P4CN-0001-M0090	ALFA20R DN25 1500lb A105N NPT FS		KGA2T20P4-001	

A105N
(LF2)

(*) FOR VALVES DN15 SPARE PARTS KIT WILL NOT BE AVAILABLE - I KIT DI RICAMBIO NON SONO DISPONIBILI PER VALVOLE DN15

A20R 1500lb STAINLESS STEEL BODY / CORPO ACCIAIO INOSSIDABILE

DN	VALVE RATING	VALVE CODE	DESCRIPTION	VALVE PRICE (€)	KIT CODE	KIT PRICE (€)
15	1500b	A2R15P4SD-0001-M0000	ALFA20R DN15 1500lb 316/316L GAS FS		N.A. (*)	
15	1500b	A2R15P4SD-0002-M0000	ALFA20R DN15 1500lb 316/316L NPT FS		N.A. (*)	
20	1500b	A2R20P4SD-0002-M0000	ALFA20R DN20 1500lb 316/316L GAS FS		KGA2T15P4-001	
20	1500b	A2R20P4SD-0001-M0000	ALFA20R DN20 1500lb 316/316L NPT FS		KGA2T15P4-001	
25	1500b	A2R25P4SD-0002-M0000	ALFA20R DN25 1500lb 316/316L GAS FS		KGA2T20P4-001	
25	1500b	A2R25P4SD-0001-M0000	ALFA20R DN25 1500lb 316/316L NPT FS		KGA2T20P4-001	

316(L)

(*) FOR VALVES DN15 SPARE PARTS KIT WILL NOT BE AVAILABLE - I KIT DI RICAMBIO NON SONO DISPONIBILI PER VALVOLE DN15



Product codes in bold are related to product available on stock; delivery time within 3 weeks based on ordered quantity.

All other codes are related to product ready for assembly; delivery time within 5 weeks based on ordered quantity.

Missing Sizes and Special Executions are available upon request. Please contact Sales Dept. for availability and delivery time

I codici in grassetto indicano prodotti normalmente disponibili a stock; consegna entro 3 settimane secondo quantità ordinate

Gli altri codici indicano prodotti disponibili per assemblaggio; consegna entro 5 settimane secondo quantità ordinate

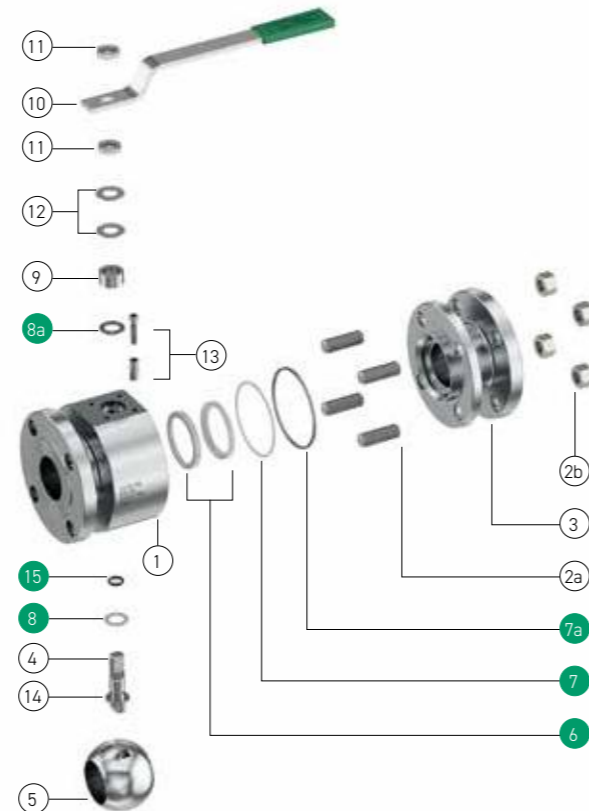
Dimensioni mancanti ed esecuzioni speciali sono disponibili su richiesta. Si prega contattare Ufficio commerciale per disponibilità e consegne



A64 ANSI150 flanged type ball valve, full bore

BAR STOCK BODY
CORPO DA BARRA

PART NAME PARTICOLARE	Q.TY Q.TA'	MATERIALS MATERIALI	
1 body corpo	1	ASTM A105N/LF2	ASTM A479 316/316L
2 stud tirante	4/8	ASTM A193 B7	ASTM A193 B8M
2b nut dado	4/8	ASTM A194 2H	ASTM A194 B8
3 closure chiusura	1	ASTM A105N/LF2	ASTM A479 316/316L
4 stem stelo	1	ASTM A479 F6a (AISI 410)	ASTM A182 316/316L
5 ball sfera	1	ASTM A351 CF8	ASTM A351 CF8M
6 seats sedi	2		TFM
7 1 st body gasket guarnizione corpo int.	1		P.T.F.E.
7a 2 nd body gasket guarnizione corpo est.	1		GRAPHOIL
8 washer bussola	1		P.T.F.E.
8a stem gasket guarnizione stelo	1		GRAPHOIL
9 gland preguarnizione	1	Carbon Steel Zinc Coated	Stainless steel 316
10 lever leva	1		Carbon Steel Zinc Coated
11 stem nut dado stelo	2	Cl. 8	A4-40 (AISI 316)
12 spring washer molla a tazza	2	51CrV4 Zinc Coated	AISI 316
13 stop device dispositivo di arresto	1	Cl.8.8 Zinc Coated	AISI 316
14 antistatic device dispositivo antistatico	2		AISI 316
15 stem O-ring O-ring stelo	1		VITON 75 Sh. A



STANDARD FEATURES CARATTERISTICHE STANDARD

Flange Facing RF according to / Finitura Flange RF secondo : ASME B16.5, ANSI 150
Flange drilling, smooth holes according / Foratura flange, fori lisci secondo : ASME B16.5, ANSI 150
Face to face / Scartamento : ASME B16.10, ANSI 150
Design according to / Progettazione secondo : ASME B16.34, EN 12516-1, PED 2014/68/UE
Fire Safe Design and Construction according to / Costruzione e assemblaggio Fire Safe secondo : EN ISO 10497, API 6FA, API 607
Antistatic Device according to / dispositivo antistatico secondo : BS 5146
Tightness class / Classe di tenuta : VI (FCI 70-2 - ANSI B 16.104)
Stem sealing with O-ring, Anti Blow-out stem / Tenuta stelo con O-Ring, stelo anti -espulsione
Actuator coupling flange according to / Flangia integrata per montaggio comando secondo : ISO 5211

A64 ANSI 150 CARBON STEEL BODY / CORPO ACCIAIO AL CARBONIO

A105N
(LF2)

DN	VALVE RATING	VALVE CODE	DESCRIPTION	VALVE PRICE (€)	KIT CODE	KIT PRICE (€)
15	ANSI 150	A6415A1CN-0001-M0010	ALFA64 DN15 ANSI150 A105N FS RF		KGA6415A1-001	
20	ANSI 150	A6420A1CN-0001-M0010	ALFA64 DN20 ANSI150 A105N FS RF		KGA6420A1-001	
25	ANSI 150	A6425A1CN-0001-M0010	ALFA64 DN25 ANSI150 A105N FS RF		KGA6425A1-001	
40	ANSI 150	A6440A1CN-0001-M0010	ALFA64 DN40 ANSI150 A105N FS RF		KGA6440A1-001	
50	ANSI 150	A6450A1CN-0001-M0010	ALFA64 DN50 ANSI150 A105N FS RF		KGA6450A1-001	
80	ANSI 150	A6480A1CN-0001-M0010	ALFA64 DN80 ANSI150 A105N FS RF		KGA6480A1-001	
100	ANSI 150	A64A0A1CN-0001-M0010	ALFA64 DN100 ANSI150 A105N FS RF		KGA64A0A1-001	

A64 ANSI 150 STAINLESS STEEL BODY / CORPO ACCIAIO INOSSIDABILE

316(L)

DN	VALVE RATING	VALVE CODE	DESCRIPTION	VALVE PRICE (€)	KIT CODE	KIT PRICE (€)
15	ANSI 150	A6415A1SD-0001-M0000	ALFA64 DN15 ANSI150 316/316L FS RF		KGA6415A1-001	
20	ANSI 150	A6420A1SD-0002-M0000	ALFA64 DN20 ANSI150 316/316L FS RF		KGA6420A1-001	
25	ANSI 150	A6425A1SD-0001-M0000	ALFA64 DN25 ANSI150 316/316L FS RF		KGA6425A1-001	
40	ANSI 150	A6440A1SD-0001-M0000	ALFA64 DN40 ANSI150 316/316L FS RF		KGA6440A1-001	
50	ANSI 150	A6450A1SD-0001-M0000	ALFA64 DN50 ANSI150 316/316L FS RF		KGA6450A1-001	
80	ANSI 150	A6480A1SD-0001-M0000	ALFA64 DN80 ANSI150 316/316L FS RF		KGA6480A1-001	



Product codes in bold are related to product available on stock: delivery time within 3 weeks based on ordered quantity.

All other codes are related to product ready for assembly: delivery time within 5 weeks based on ordered quantity.

Missing Sizes and Special Executions are available upon request. Please contact Sales Dept. for availability and delivery time

I codici in grassetto indicano prodotti normalmente disponibili a stock: consegna entro 3 settimane secondo quantità ordinate

Gli altri codici indicano prodotti disponibili per assemblaggio: consegna entro 5 settimane secondo quantità ordinate

Dimensioni mancanti ed esecuzioni speciali sono disponibili su richiesta. Si prega di contattare Ufficio commerciale per disponibilità e consegne



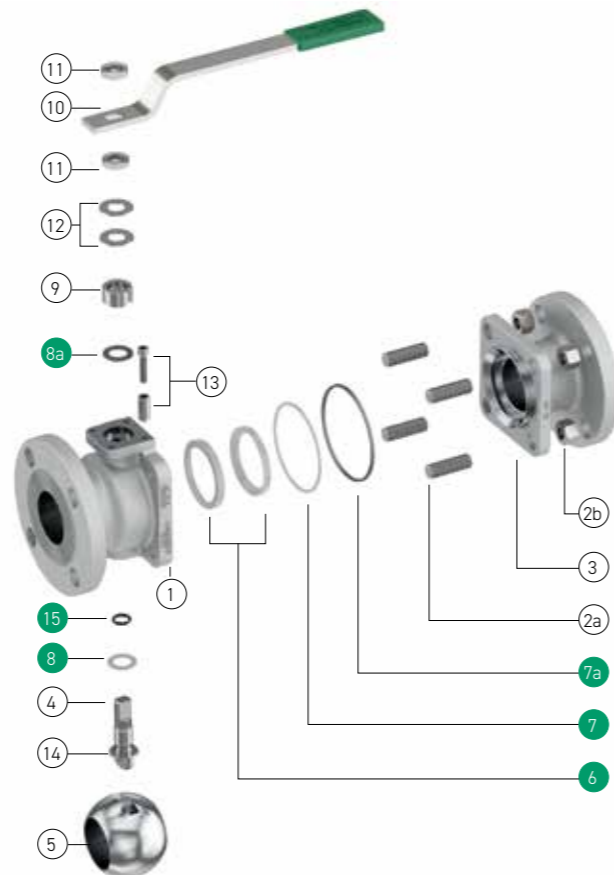
A64 ANSI150

flanged type ball valve, full bore

INVESTMENT CASTING BODY
CORPO DA FUSIONE

PART NAME PARTICOLARE	Q.TY Q.TA'	MATERIALS MATERIALI	
1 body corpo	1	ASTM A216 WCB	ASTM A351 CF8M
2a stud tirante	4/8	ASTM A193 B7	ASTM A193 B8M
2b nut dado	4/8	ASTM A194 2H	ASTM A194 B8
3 closure chiusura	1	ASTM A216 WCB	ASTM A351 CF8M
4 stem stelo	1	ASTM A479 F6a (AISI 410)	ASTM A182 316/316L
5 ball sfera	1	ASTM A351 CF8	ASTM A351 CF8M
6 seats sedi	2	TFM (PTFE + A.M. : DM = 200)	
7 1 st body gasket guarnizione corpo int.	1	P.T.F.E. (DN < 80)	
7a 2 nd body gasket guarnizione corpo est.	1	GRAPHOIL	
8 washer bussola	1	P.T.F.E.	
8a stem gasket guarnizione stelo	1	GRAPHOIL	
9 gland premigarnizione	1	Carbon Steel Zinc Coated	Stainless Steel 316
10 lever leva	1	Carbon Steel Zinc Coated	
11 stem nut dado stelo	2	Cl. 8	A4-40 (AISI 316)
12 spring washer molla a tazza	2	51CrV4 Zinc Coated	AISI 316
13 stop device dispositivo di arresto	1	Cl. 8.8 Zinc Coated	AISI 316
14 antistatic device dispositivo antistatico	2	AISI 316	
15 stem O-ring O-ring stelo	1	VITON 75 Sh. A	
16 body O-ring O-ring corpo	1	P.T.F.E. (DN > 100)	

Spares parts / Parti di ricambio



STANDARD FEATURES CARATTERISTICHE STANDARD

Flange Facing RF according to / Finitura Flange RF secondo : ASME B16.5, ANSI 150
Flange drilling, smooth holes according / Foratura flange, fori lisci secondo : ASME B16.5, ANSI 150
Face to face / Scartamento : ASME B16.10, ANSI 150
Design according to / Progettazione secondo : ASME B16.34, EN 12516-1, PED 2014/68/UE
Fire Safe Design and Construction according to / Costruzione e assemblaggio Fire Safe secondo : EN ISO 10497, API 6FA, API 607
Antistatic Device according to / Dispositivo antistatico secondo : BS 5146
Tightness class / Classe di tenuta VI (FCI 70-2 - ANSI B 16.104)
Stem sealing with O-ring, Anti Blow-out stem / Tenuta stelo con O-Ring, stelo anti-espulsione
Actuator coupling flange according to / Flangia integrata per montaggio comando secondo : ISO 5211

A64 ANSI 150 CARBON STEEL BODY / CORPO ACCIAIO AL CARBONIO

DN	VALVE RATING	VALVE CODE	DESCRIPTION	VALVE PRICE (€)	KIT CODE	KIT PRICE (€)
25	ANSI 150	A6425A1C1-0001-M0010	ALFA64 DN25 ANSI150 WCB FS RF		KGA6425A1-001	
50	ANSI 150	A6450A1C1-0001-M0010	ALFA64 DN50 ANSI150 WCB FS RF		KGA6450A1-001	
80	ANSI 150	A6480A1C1-0001-M0010	ALFA64 DN80 ANSI150 WCB FS RF		KGA6480A1-001	
100	ANSI 150	A64A0A1C1-0001-M0010	ALFA64 DN100 ANSI150 WCB FS RF		KGA64A0A1-002	
150	ANSI 150	A64A5A1C1-0001-M0010	ALFA64 DN150 ANSI150 WCB FS RF		KGA64A5A1-001	
200	ANSI 150	A64B0A1C1-0001-K0010	ALFA64 DN200 ANSI150 WCB FS RF		KGA64B0A1-001	

WCB

(*) BARE STEM VALVE- VALVOLA A STELO NUDDO

A64 ANSI 150 STAINLESS STEEL BODY / CORPO ACCIAIO INOSSIDABILE

DN	VALVE RATING	VALVE CODE	DESCRIPTION	VALVE PRICE (€)	KIT CODE	KIT PRICE (€)
15	ANSI 150	A6415A1S2-0001-M0000	ALFA64 DN15 ANSI150 CF8M FS RF		KGA6415A1-001	
20	ANSI 150	A6420A1S2-0001-M0000	ALFA64 DN20 ANSI150 CF8M FS RF		KGA6420A1-001	
25	ANSI 150	A6425A1S2-0001-M0000	ALFA64 DN25 ANSI150 CF8M FS RF		KGA6425A1-001	
40	ANSI 150	A6440A1S2-0001-M0000	ALFA64 DN40 ANSI150 CF8M FS RF		KGA6440A1-001	
50	ANSI 150	A6450A1S2-0001-M0000	ALFA64 DN50 ANSI150 CF8M FS RF		KGA6450A1-001	
80	ANSI 150	A6480A1S2-0001-M0000	ALFA64 DN80 ANSI150 CF8M FS RF		KGA6480A1-001	
100	ANSI 150	A64A0A1S2-0001-M0000	ALFA64 DN100 ANSI150 CF8M FS RF		KGA64A0A1-002	
150	ANSI 150	A64A5A1S2-0001-M0000	ALFA64 DN150 ANSI150 CF8M FS RF		KGA64A5A1-001	
200	ANSI 150	A64B0A1S2-0001-K0000	ALFA64 DN200 ANSI150 CF8M FS RF		KGA64B0A1-001	

CF8M

(*) BARE STEM VALVE- VALVOLA A STELO NUDDO



Product codes in bold are related to product available on stock; delivery time within 3 weeks based on ordered quantity.

All other codes are related to product ready for assembly; delivery time within 5 weeks based on ordered quantity.

Missing Sizes and Special Executions are available upon request. Please contact Sales Dept. for availability and delivery time

I codici in grassetto indicano prodotti normalmente disponibili a stock; consegna entro 3 settimane secondo quantità ordinate

Gli altri codici indicano prodotti disponibili per assemblaggio; consegna entro 5 settimane secondo quantità ordinate

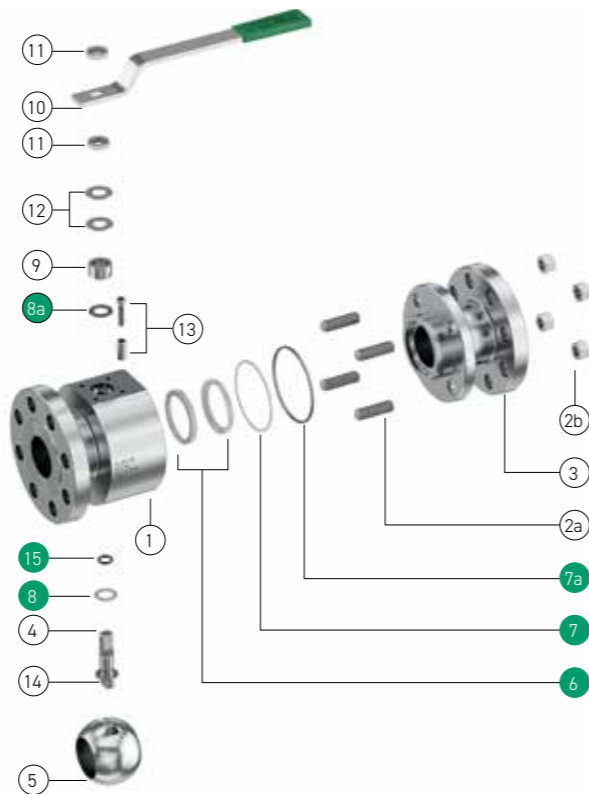
Dimensioni mancanti ed esecuzioni speciali sono disponibili su richiesta. Si prega contattare Ufficio commerciale per disponibilità e consegne



A60 ANSI 300 flanged type ball valve, full bore

BAR STOCK BODY
CORPO DA BARRA

PART NAME PARTICOLARE	Q.TY Q.TA'	MATERIALS MATERIALI	
1 body corpo	1	ASTM A105N/LF2	ASTM A479 316/316L
2 stud tirante	4/8	ASTM A193 B7	ASTM A193 B8M
2b nut dado	4/8	ASTM A194 2H	ASTM A194 B8
3 closure chiusura	1	ASTM A105N/LF2	ASTM A479 316/316L
4 stem stelo	1	ASTM A479 F6a (AISI 410)	ASTM A182 316/316L
5 ball sfera	1	ASTM A351 CF8	ASTM A351 CF8M
6 seats sedi	2		TFM
7 1 st body gasket guarnizione corpo int.	1		P.T.F.E.
7a 2 nd body gasket guarnizione corpo est.	1		GRAPHOIL
8 washer bussola	1		P.T.F.E.
8a stem gasket guarnizione stelo	1		GRAPHOIL
9 gland premi-guarnizione	1	Carbon Steel Zinc Coated	Stainless steel 316
10 lever leva	1		Carbon Steel Zinc Coated
11 stem nut dado stelo	2	Cl. 8	A4-40 (AISI 316)
12 spring washer molla a tazza	2	51CrV4 Zinc Coated	AISI 316
13 stop device dispositivo di arresto	1	Cl.8.8 Zinc Coated	AISI 316
14 antistatic device dispositivo antistatico	2		AISI 316
15 stem O-ring O-ring stelo	1		VITON 75 Sh. A



Spares parts / Parti di ricambio

STANDARD FEATURES CARATTERISTICHE STANDARD

Flange Facing RF according to / Finitura Flange RF secondo : ASME B16.5, ANSI 300
Flange drilling, smooth holes according / Foratura flange, fori lisci secondo : ASME B16.5, ANSI 300
Face to face / Scartamento : ASME B 16.10, ANSI 300
Design according to / Progettazione secondo : ASME B16.34, EN 12516-1, PED 2014/68/UE
Fire Safe Design and Construction according to / Costruzione e assemblaggio Fire Safe secondo : EN ISO 10497, API 6FA, API 607
Antistatic Device according to / dispositivo antistatico secondo : BS 5146
Tightness class / Classe di tenuta : VI (FCI 70-2 - ANSI B 16.104)
Stem sealing with O-ring, Anti Blow-out stem / Tenuta stelo con O-Ring, stelo anti-espulsione
Actuator coupling flange according to / Flangia integrata per montaggio comando secondo : ISO 5211

A60 ANSI300 CARBON STEEL BODY / CORPO ACCIAIO AL CARBONIO

A105N
(LF2)

DN	VALVE RATING	VALVE CODE	DESCRIPTION	VALVE PRICE (€)	KIT CODE	KIT PRICE (€)
15	ANSI 300	A6015A2CN-0001-M0010	ALFA60 DN15 ANSI300 A105N FS RF		KGA6415A1-001	
20	ANSI 300	A6020A2CN-0001-M0010	ALFA60 DN20 ANSI300 A105N FS RF		KGA6420A1-001	
25	ANSI 300	A6025A2CN-0001-M0010	ALFA60 DN25 ANSI300 A105N FS RF		KGA6425A1-001	
40	ANSI 300	A6040A2CN-0001-M0010	ALFA60 DN40 ANSI300 A105N FS RF		KGA6440A1-001	
50	ANSI 300	A6050A2CN-0001-M0010	ALFA60 DN50 ANSI300 A105N FS RF		KGA6450A1-001	
80	ANSI 300	A6080A2CN-0001-M0010	ALFA60 DN80 ANSI300 A105N FS RF		KGA6480A1-001	
100	ANSI 300	A60100A2CN-0001-M0010	ALFA60 DN100 ANSI300 A105N FS RF		KGA64100A1-001	

A60 ANSI300 STAINLESS STEEL BODY / CORPO ACCIAIO INOSSIDABILE

316(L)

DN	VALVE RATING	VALVE CODE	DESCRIPTION	VALVE PRICE (€)	KIT CODE	KIT PRICE (€)
15	ANSI 300	A6015A2SD-0001-M0000	ALFA60 DN15 ANSI300 316/316L FS RF		KGA6415A1-001	
20	ANSI 300	A6020A2SD-0001-M0000	ALFA60 DN20 ANSI300 316/316L FS RF		KGA6420A1-001	
25	ANSI 300	A6025A2SD-0001-M0000	ALFA60 DN25 ANSI300 316/316L FS RF		KGA6425A1-001	
40	ANSI 300	A6040A2SD-0001-M0000	ALFA60 DN40 ANSI300 316/316L FS RF		KGA6440A1-001	
50	ANSI 300	A6050A2SD-0001-M0000	ALFA60 DN50 ANSI300 316/316L FS RF		KGA6450A1-001	
80	ANSI 300	A6080A2SD-0001-M0000	ALFA60 DN80 ANSI300 316/316L FS RF		KGA6480A1-001	
100	ANSI 300	A60100A2SD-0001-M0000	ALFA60 DN100 ANSI300 316/316L FS RF		KGA64100A1-001	



Product codes in bold are related to product available on stock; delivery time within 3 weeks based on ordered quantity.

All other codes are related to product ready for assembly; delivery time within 5 weeks based on ordered quantity.

Missing Sizes and Special Executions are available upon request. Please contact Sales Dept. for availability and delivery time

I codici in grassetto indicano prodotti normalmente disponibili a stock; consegna entro 3 settimane secondo quantità ordinate

Gli altri codici indicano prodotti disponibili per assemblaggio; consegna entro 5 settimane secondo quantità ordinate

Dimensioni mancanti ed esecuzioni speciali sono disponibili su richiesta. Si prega di contattare Ufficio commerciale per disponibilità e consegne

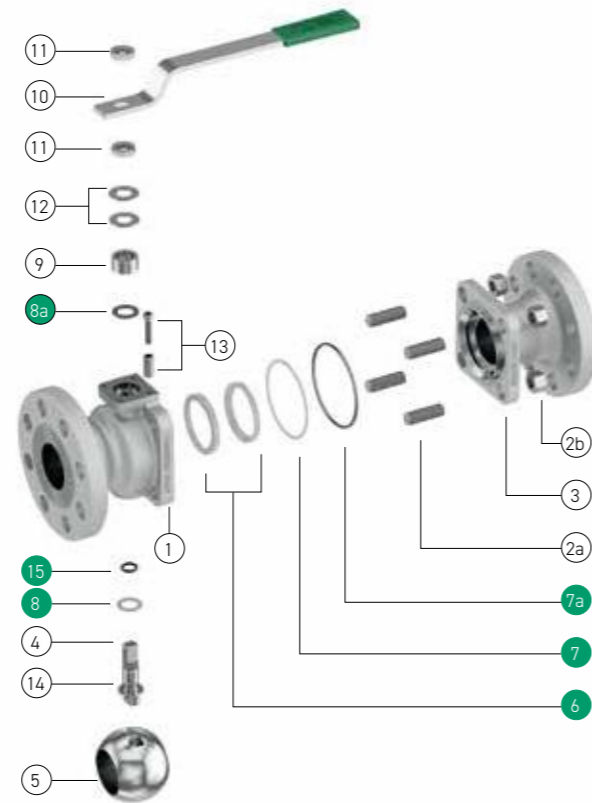


A60 ANSI 300 flanged type ball valve, full bore

INVESTMENT CASTING BODY
CORPO DA FUSIONE

PART NAME PARTICOLARE	Q.TY Q.TA'	MATERIALS MATERIALI	
1 body corpo	1	ASTM A216 WCB	ASTM A351 CF8M
2 stud tirante	4/8	ASTM A193 B7	ASTM A193 B8M
2b nut dado	4/8	ASTM A194 2H	ASTM A194 B8
3 closure chiusura	1	ASTM A216 WCB	ASTM A351 CF8M
4 stem stelo	1	ASTM A479 F6a (AISI 410)	ASTM A182 316/316L
5 ball sfera	1	ASTM A351 CF8	ASTM A351 CF8M
6 seats sedi	2	TFM / PTFE + A.M. (DN 150)	
7 1 st body gasket guarnizione corpo int.	1	P.T.F.E. (DN < 80)	
7a 2 nd body gasket guarnizione corpo est.	1	GRAPHOIL	
8 washer bussola	1	P.T.F.E.	
8a stem gasket guarnizione stelo	1	GRAPHOIL	
9 gland preguarnizione	1	Carbon Steel Zinc Coated	Stainless Steel 316
10 lever leva	1	Carbon Steel Zinc Coated	
11 stem nut dado stelo	2	Cl. 8	A4-40 (AISI 316)
12 spring washer molla a tazza	2	51CrV4 Zinc Coated	AISI 316
13 stop device dispositivo di arresto	1	Cl. 8.8 Zinc Coated	AISI 316
14 antistatic device dispositivo antistatico	2	AISI 316	
15 stem O-ring O-ring stelo	1	VITON 75 Sh. A	
16 body O-ring O-ring corpo	1	P.T.F.E. (DN > 100)	

Spares parts / Parti di ricambio



STANDARD FEATURES CARATTERISTICHE STANDARD

Flange Facing RF according to / Finitura Flange RF secondo : ASME B16.5, ANSI 300
Flange drilling, smooth holes according / Foratura flange, fori lisci secondo : ASME B16.5, ANSI 300
Face to face / Scartamento : ASME B 16.10, ANSI 300
Design according to/ Progettazione secondo : ASME B16.34, EN 12516-1, PED 2014/68/UE
Fire Safe Design and Construction according to / Costruzione e assemblaggio Fire Safe secondo : EN ISO 10497, API 6FA, API 607
Antistatic Device according to / dispositivo antistatico secondo : BS 5146
Tightness class / Classe di tenuta : VI (FCI 70-2 - ANSI B 16.104)
Stem sealing with O-ring, Anti Blow-out stem / Tenuta stelo con O-Ring, stelo anti-espulsione
Actuator coupling flange according to / Flangia integrata per montaggio comando secondo : ISO 5211

A60 ANSI300 CARBON STEEL BODY / CORPO ACCIAIO AL CARBONIO

WCB

DN	VALVE RATING	VALVE CODE	DESCRIPTION	VALVE PRICE (€)	KIT CODE	KIT PRICE (€)
15	ANSI 300	A6015A2C1-0002-M0010	ALFA60 DN15 ANSI300 WCB FS RF		KGA6415A1-001	
25	ANSI 300	A6025A2C1-0001-M0010	ALFA60 DN25 ANSI300 WCB FS RF		KGA6425A1-001	
50	ANSI 300	A6050A2C1-0001-M0010	ALFA60 DN50 ANSI300 WCB FS RF		KGA6450A1-001	
80	ANSI 300	A6080A2C1-0001-M0010	ALFA60 DN80 ANSI300 WCB FS RF		KGA6480A1-001	
100	ANSI 300	A60A0A2C1-0001-M0010	ALFA60 DN100 ANSI300 WCB FS RF		KGA64A0A1-002	
150	ANSI 300	A60A5A2C1-0001-K0010	ALFA60 DN150 ANSI300 WCB FS RF		KGA64A5A1-002	

(*) BARE STEM VALVE- VALVOLA A STELO NUDO

A60 ANSI300 STAINLESS STEEL BODY / CORPO ACCIAIO INOSSIDABILE

CF8M

DN	VALVE RATING	VALVE CODE	DESCRIPTION	VALVE PRICE (€)	KIT CODE	KIT PRICE (€)
15	ANSI 300	A6015A2S2-0001-M0000	ALFA60 DN15 ANSI300 CF8M FS RF		KGA6415A1-001	
25	ANSI 300	A6025A2S2-0001-M0000	ALFA60 DN25 ANSI300 CF8M FS RF		KGA6425A1-001	
50	ANSI 300	A6050A2S2-0001-M0000	ALFA60 DN50 ANSI300 CF8M FS RF		KGA6450A1-001	
80	ANSI 300	A6080A2S2-0001-M0000	ALFA60 DN80 ANSI300 CF8M FS RF		KGA6480A1-001	
100	ANSI 300	A60A0A2S2-0001-M0000	ALFA60 DN100 ANSI300 CF8M FS RF		KGA64A0A1-002	
150	ANSI 300	A60A5A2S2-0001-K0000	ALFA60 DN150 ANSI300 CF8M FS RF		KGA64A5A1-002	

(*) BARE STEM VALVE- VALVOLA A STELO NUDO



Product codes in bold are related to product available on stock; delivery time within 3 weeks based on ordered quantity.

All other codes are related to product ready for assembly; delivery time within 5 weeks based on ordered quantity.

Missing Sizes and Special Executions are available upon request. Please contact Sales Dept. for availability and delivery time

I codici in grassetto indicano prodotti normalmente disponibili a stock; consegna entro 3 settimane secondo quantità ordinate

Gli altri codici indicano prodotti disponibili per assemblaggio; consegna entro 5 settimane secondo quantità ordinate

Dimensioni mancanti ed esecuzioni speciali sono disponibili su richiesta. Si prega contattare Ufficio commerciale per disponibilità e consegne

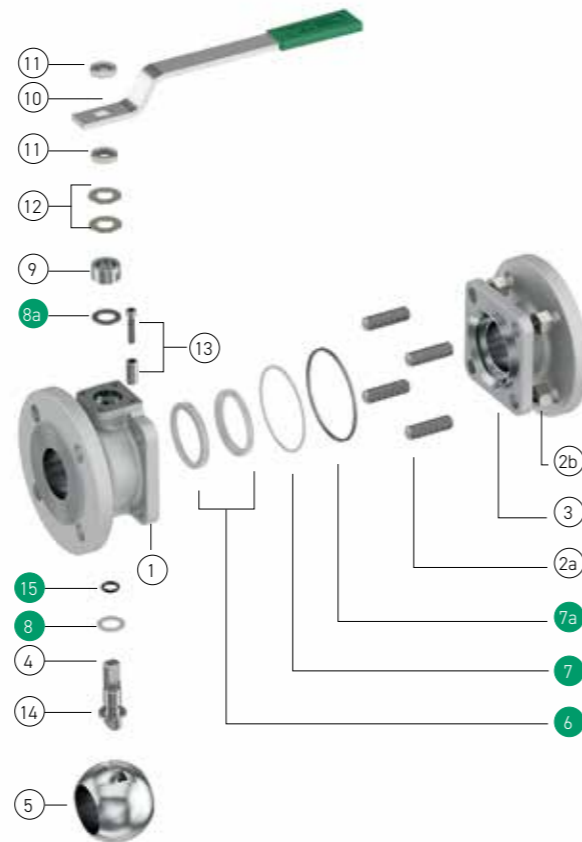


A68 PN10-40

flanged type ball valve

INVESTMENT CASTING BODY
CORPO DA FUSIONE

PART NAME PARTICOLARE	Q.TY Q.TA'	MATERIALS MATERIALI	
1 body corpo	1	ASTM A216 WCB	ASTM A351 CF8M
2 stud tirante	4/8	ASTM A193 B7	ASTM A193 B8M
2b nut dado	4/8	ASTM A194 2H	ASTM A194 B8
3 closure chiusura	1	ASTM A216 WCB	ASTM A351 CF8M
4 stem stelo	1	ASTM A182 316/316L	
5 ball sfera	1	ASTM A351 CF8M	
6 seats sedi	2	TFM	
7 1 st body gasket guarnizione corpo int.	1	P.T.F.E. (DN < 80)	
7a 2 nd body gasket guarnizione corpo est.	1	GRAPHOIL	
8 washer bussola	1	P.T.F.E.	
8a stem gasket guarnizione stelo	1	GRAPHOIL	
9 gland preguarnizione	1	Carbon Steel Zinc Coated	Stainless Steel 316
10 lever leva	1	Carbon Steel Zinc Coated	Carbon Steel Zinc Coated
11 stem nut dado stelo	2	Cl. 8	A4-40 (AISI 316)
12 spring washer molla a tazza	2	51CrV4 Zinc Coated	AISI 316
13 stop device dispositivo di arresto	1	Cl. 8.8 Zinc Coated	AISI 316
14 antistatic device dispositivo antistatico	2	AISI 316	
15 stem O-ring O-ring stelo	1	VITON 75 Sh. A	
16 body O-ring O-ring corpo	1	P.T.F.E. (DN > 100)	



Spares parts / Parti di ricambio

STANDARD FEATURES CARATTERISTICHE STANDARD

Flange Facing RF according to / Finitura Flange RF secondo : EN 1092-1
 Flange drilling, smooth holes according / Foratura flange, fori lisci secondo : EN 1092-1, PN16
 Face to face / Scartamento : DIN 3202 F4 (DN < 100), DIN 3202 F5 (DN > 125)
 Design according to / Progettazione secondo : ASME B16.34, EN 12516-1, PED 2014/68/UE
 Fire Safe Design and Construction according to / Costruzione e assemblaggio Fire Safe secondo : EN ISO 10497, API 6FA, API 607
 Antistatic Device according to / Antistatic Device according to : BS 5146
 Tightness class / Classe di tenuta : VI (FCI 70-2 - ANSI B 16.104)
 Stem sealing with O-ring, Anti Blow-out stem / Tenuta stelo con O-Ring, stelo anti-espulsione
 Actuator coupling flange according to / Flangia integrata per montaggio comando secondo : ISO 5211

A68 PN10-40 CARBON STEEL BODY / CORPO ACCIAIO AL CARBONIO

DN	VALVE RATING	VALVE CODE	DESCRIPTION	VALVE PRICE (€)	KIT CODE	KIT PRICE (€)
20	PN 10-40	A6820U4C1-0001-M0010	ALFA68 DN20 PN 10-40 WCB FS RF		KGA6420A1-001	
25	PN 10-40	A6825U4C1-0001-M0010	ALFA68 DN25 PN 10-40 WCB FS RF		KGA6425A1-001	
32	PN 10-40	A6832U4C1-0001-M0010	ALFA68 DN32 PN 10-40 WCB FS RF		KGA6432A1-001	
40	PN 10-40	A6840U4C1-0001-M0010	ALFA68 DN40 PN 10-40 WCB FS RF		KGA6440A1-001	
50	PN 10-40	A6050U4C1-0001-M0010	ALFA68 DN50 PN 10-40 WCB FS RF		KGA6450A1-001	
65	PN 10-16	A6065U3C1-0001-M0010	ALFA68 DN65 PN 10-16 WCB FS RF		KGA6465A1-001	
80	PN 10-16	A6080U3C1-0001-M0010	ALFA68 DN80 PN 10-16 WCB FS RF		KGA6480A1-001	
100	PN 10-16	A60A0U3C1-0001-M0010	ALFA68 DN100 PN 10-16 WCB FS RF		KGA64A0A1-002	
150	PN 10-16	A60A5U3C1-0001-M0010	ALFA68 DN150 PN 10-16 WCB FS RF		KGA64A5A1-001	
200	PN16	A60B0U3C1-0001-K0010	ALFA68 DN200 PN 16 WCB FS RF		KGA64B0A1-001	

(*) BARE STEM VALVE- VALVOLA A STELO NUDO

A68 PN 10-40 STAINLESS STEEL BODY / CORPO ACCIAIO INOSSIDABILE

DN	VALVE RATING	VALVE CODE	DESCRIPTION	VALVE PRICE (€)	KIT CODE	KIT PRICE (€)
15	PN 10-40	A6815U4S2-0001-M0000	ALFA68 DN15 PN 10-40 CF8M FS RF		KGA6415A1-001	
20	PN 10-40	A6820U4S2-0001-M0000	ALFA68 DN20 PN 10-40 CF8M FS RF		KGA6420A1-001	
25	PN 10-40	A6825U4S2-0001-M0000	ALFA68 DN25 PN 10-40 CF8M FS RF		KGA6425A1-001	
32	PN 10-40	A6832U4S2-0001-M0000	ALFA68 DN32 PN 10-40 CF8M FS RF		KGA6432A1-001	
40	PN 10-40	A6840U4S2-0001-M0000	ALFA68 DN40 PN 10-40 CF8M FS RF		KGA6440A1-001	
50	PN 10-40	A6050U4S2-0001-M0000	ALFA68 DN50 PN 10-40 CF8M FS RF		KGA6450A1-001	
65	PN 10-16	A6065U3S2-0001-M0000	ALFA68 DN65 PN 10-16 CF8M FS RF		KGA6465A1-001	
80	PN 10-16	A6080U3S2-0001-M0000	ALFA68 DN80 PN 10-16 CF8M FS RF		KGA6480A1-001	
100	PN 10-16	A60A0U3S2-0001-M0000	ALFA68 DN100 PN 10-16 CF8M FS RF		KGA64A0A1-002	

(*) BARE STEM VALVE- VALVOLA A STELO NUDO



Product codes in bold are related to product available on stock; delivery time within 3 weeks based on ordered quantity.
 All other codes are related to product ready for assembly; delivery time within 5 weeks based on ordered quantity.
 Missing Sizes and Special Executions are available upon request. Please contact Sales Dept. for availability and delivery time
I codici in grassetto indicano prodotti normalmente disponibili a stock; consegna entro 3 settimane secondo quantità ordinate
 Gli altri codici indicano prodotti disponibili per assemblaggio; consegna entro 5 settimane secondo quantità ordinate
 Dimensioni mancanti ed esecuzioni speciali sono disponibili su richiesta. Si prega contattare Ufficio commerciale per disponibilità e consegne

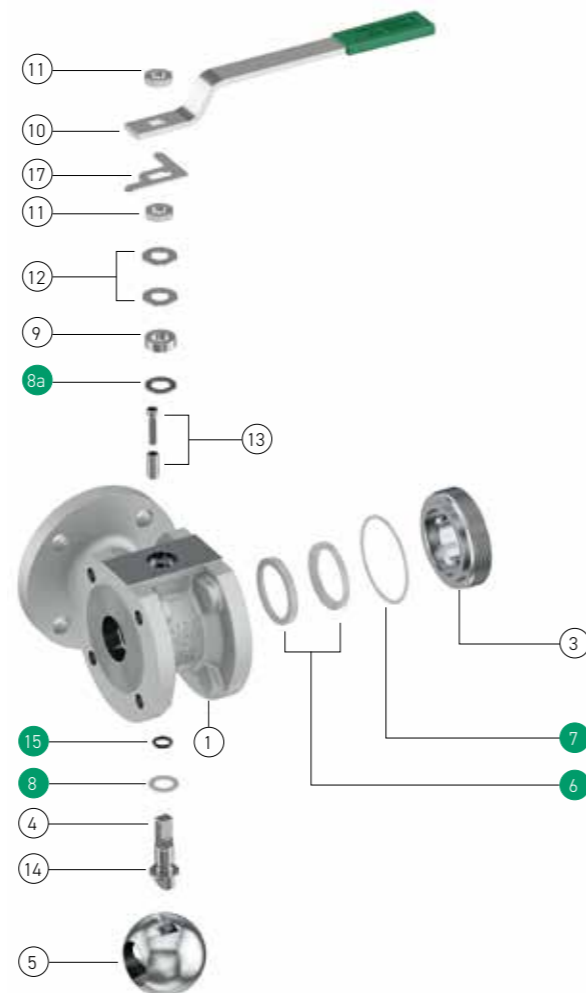


A103 PN10-40 ANSI 150

3 way wafer type ball valve

INVESTMENT CASTING BODY
CORPO DA FUSIONE

PART NAME PARTICOLARE	Q.TY Q.TA'	MATERIALS MATERIALI	
1 body corpo	1	ASTM A216 WCB	ASTM A351 CF8M
3 closure chiusura	1	ASTM A216 WCB	ASTM A351 CF8M
4 stem stelo	1	ASTM A479 F6a (AISI 410)	ASTM A182 316/316L
5 ball sfera	1	ASTM A351 CF8M	
6 seats sedi	2	TFM	
7 body gasket guarnizione corpo	1	P.T.F.E.	
8 washer bussola	1	P.T.F.E.	
8a stem gasket guarnizione stelo	1	P.T.F.E.	
9 gland premi-guarnizione	1	Carbon Steel Zinc Coated	Stainless Steel 316
10 lever leva	1	Carbon Steel Zinc Coated	
11 stem nut dado stelo	2	Cl. 8	A4-40 (AISI 316)
12 spring washer molla a tazza	2	51CrV4 Zinc Coated	AISI 316
13 stop device dispositivo di arresto	1	Cl. 8.8 Zinc Coated	AISI 316
14 antistatic device dispositivo antistatico	2	AISI 316	
15 stem o-ring o-ring stelo	1	VITON 75 Sh. A	
16 body o-ring/o-ring corpo DN150 only	1	VITON 75 Sh. A	
17 position indicator indicatore di posizione	1	AISI 316	



Spares parts / Parti di ricambio

STANDARD FEATURES CARATTERISTICHE STANDARD

Flange Facing RF according to / Finitura Flange RF secondo : ASME B.16.5, ANSI 150 or EN 1092-1
Flange drilling, metric holes according / Foratura flange, fori metrici secondo : ASME B16.5 (ANSI 150) or EN 1092-1 (PN16)
Face to face / Scartamento : Manufacturer standard
Design according to/ Progettazione secondo : ASME B16.34, EN 12516-1, PED 2014/68/UE
Antistatic Device according to /Dispositivo antistatico secondo : BS 5146
Tightness class / Classe di tenuta VI (FCI 70-2 – ANSI B 16.104)
Stem sealing with O-ring, Anti Blow-out stem / Tenuta stelo con O-Ring, stelo anti-espulsione
Actuator coupling flange according to / Flangia integrata per montaggio comando secondo : ISO 5211

A103 PN10-40 CARBON STEEL BODY / CORPO ACCIAIO AL CARBONIO

WCB

DN	VALVE RATING	VALVE CODE	DESCRIPTION	VALVE PRICE (€)	KIT CODE	KIT PRICE (€)
20	PN 10-40	AC320U4C1-0001-M0010	ALFA103 DN20 PN 10-40 WCB RF MET		KGAC320A1-001	
25	PN 10-40	AC325U4C1-0002-M0010	ALFA103 DN25 PN 10-40 WCB RF MET		KGAC325A1-001	
32	PN 10-40	AC332U4C1-0001-M0010	ALFA103 DN32 PN 10-40 WCB RF MET		KGAC332A1-001	
40	PN 10-40	AC340U4C1-0002-M0010	ALFA103 DN40 PN 10-40 WCB RF MET		KGAC340A1-001	
50	PN 10-40	AC350U4C1-0001-M0010	ALFA103 DN50 PN 10-40 WCB RF MET		KGAC350A1-001	
65	PN 10-16	AC365U3C1-0001-M0010	ALFA103 DN65 PN 10-16 WCB RF MET		KGAC365A1-001	
80	PN 16-40	AC380U6C1-0002-M0010	ALFA103 DN80 PN 16-40 WCB RF MET		KGAC380A1-001	
100	PN 10-16	AC3A0U3C1-0001-M0010	ALFA103 DN100 PN 10-16 WCB RF MET		KGAC3A0A1-001	
150	PN 10-16	AC3A5U3C1-0001-M0010	ALFA103 DN150 PN 10-16 WCB RF MET		KGAC3A5A1-001	

A103 PN10-40 STAINLESS STEEL BODY / CORPO ACCIAIO INOSSIDABILE

CF8M

DN	VALVE RATING	VALVE CODE	DESCRIPTION	VALVE PRICE (€)	KIT CODE	KIT PRICE (€)
20	PN 10-40	AC320U4S2-0001-M0000	ALFA103 DN20 PN 10-40 CF8M RF		KGAC320A1-001	
25	PN 10-40	AC325U4S2-0001-M0000	ALFA103 DN25 PN 10-40 CF8M RF		KGAC325A1-001	
32	PN 10-40	AC332U4S2-0001-M0000	ALFA103 DN32 PN 10-40 CF8M RF		KGAC332A1-001	
40	PN 10-40	AC340U4S2-0001-M0000	ALFA103 DN40 PN 10-40 CF8M RF		KGAC340A1-001	
50	PN 10-40	AC350U4S2-0001-M0000	ALFA103 DN50 PN 10-40 CF8M RF		KGAC350A1-001	
65	PN 10-16	AC365U3S2-0001-M0000	ALFA103 DN65 PN 10-16 CF8M RF		KGAC365A1-001	
80	PN 16-40	AC380U6S2-0001-M0000	ALFA103 DN80 PN 16-40 CF8M RF		KGAC380A1-001	
100	PN 10-16	AC365U3S2-0001-M0000	ALFA103 DN100 PN 10-16 CF8M RF		KGAC3A0A1-001	
150	PN 10-16	AC3A5U3S2-0001-M0000	ALFA103 DN150 PN 10-16 CF8M RF		KGAC3A5A1-001	



Product codes in bold are related to product available on stock; delivery time within 3 weeks based on ordered quantity.

All other codes are related to product ready for assembly; delivery time within 5 weeks based on ordered quantity. Missing Sizes and Special Executions are available upon request. Please contact Sales Dept. for availability and delivery time. I codici in grassetto indicano prodotti normalmente disponibili a stock; consegna entro 3 settimane secondo quantità ordinate.

Gli altri codici indicano prodotti disponibili per assemblaggio; consegna entro 5 settimane secondo quantità ordinate. Dimensioni mancanti ed esecuzioni speciali sono disponibili su richiesta. Si prega contattare Ufficio commerciale per disponibilità e consegne.

A103 ANSI 150 CARBON STEEL BODY / CORPO ACCIAIO AL CARBONIO

WCB

DN	VALVE RATING	CODE	DESCRIPTION	VALVE PRICE (€)	KIT CODE	KIT PRICE (€)
20	ANSI 150	AC320A1C1-0001-M0010	ALFA103 DN20 ANSI150 WCB RF MET		KGAC320A1-001	
25	ANSI 150	AC325A1C1-0002-M0010	ALFA103 DN25 ANSI150 WCB RF MET		KGAC325A1-001	
32	ANSI 150	AC332A1C1-0001-M0010	ALFA103 DN32 ANSI150 WCB RF MET		KGAC332A1-001	
40	ANSI 150	AC340A1C1-0002-M0010	ALFA103 DN40 ANSI150 WCB RF MET		KGAC340A1-001	
50	ANSI 150	AC350A1C1-0001-M0010	ALFA103 DN50 ANSI150 WCB RF MET		KGAC350A1-001	
65	ANSI 150	AC365A1C1-0002-M0010	ALFA103 DN65 ANSI150 WCB RF MET		KGAC365A1-001	
80	ANSI 150	AC380A1C1-0002-M0010	ALFA103 DN80 ANSI150 WCB RF MET		KGAC380A1-001	
100	ANSI 150	AC3A0A1C1-0001-M0010	ALFA103 DN100 ANSI150 WCB RF MET		KGAC3A0A1-001	
150	ANSI 150	AC3A5A1C1-0001-M0010	ALFA103 DN150 ANSI150 WCB RF MET		KGAC3A5A1-001	

A103 ANSI 150 STAINLESS STEEL BODY / CORPO ACCIAIO INOSSIDABILE

CF8M

DN	VALVE RATING	CODE	DESCRIPTION	VALVE PRICE (€)	KIT CODE	KIT PRICE (€)
20	ANSI 150	AC320A1S2-0001-M0000	ALFA103 DN20 ANSI150 CF8M RF MET		KGAC320A1-001	
25	ANSI 150	AC325A1S2-0001-M0000	ALFA103 DN25 ANSI150 CF8M RF MET		KGAC325A1-001	
32	ANSI 150	AC332A1S2-0001-M0000	ALFA103 DN32 ANSI150 CF8M RF MET		KGAC332A1-001	
40	ANSI 150	AC340A1S2-0001-M0000	ALFA103 DN40 ANSI150 CF8M RF MET		KGAC340A1-001	
50	ANSI 150	AC350A1S2-0001-M0000	ALFA103 DN50 ANSI150 CF8M RF MET		KGAC350A1-001	
65	ANSI 150	AC365A1S2-0001-M0000	ALFA103 DN65 ANSI150 CF8M RF MET		KGAC365A1-001	
80	ANSI 150	AC380A1S2-0001-M0000	ALFA103 DN80 ANSI150 CF8M RF MET		KGAC380A1-001	
100	ANSI 150	AC3A0A1S2-0001-M0000	ALFA103 DN100 ANSI150 CF8M RF MET		KGAC3A0A1-001	
150	ANSI 150	AC3A5A1S2-0001-M0000	ALFA103 DN150 ANSI150 CF8M RF MET		KGAC3A5A1-001	



Product codes in bold are related to product available on stock: delivery time within 3 weeks based on ordered quantity.

All other codes are related to product ready for assembly: delivery time within 5 weeks based on ordered quantity.

Missing Sizes and Special Executions are available upon request. Please contact Sales Dept. for availability and delivery time

I codici in grassetto indicano prodotti normalmente disponibili a stock: consegna entro 3 settimane secondo quantità ordinate

Gli altri codici indicano prodotti disponibili per assemblaggio: consegna entro 5 settimane secondo quantità ordinate

Dimensioni mancanti ed esecuzioni speciali sono disponibili su richiesta. Si prega contattare Ufficio commerciale per disponibilità e consegne



Alfa Valvole S.r.l.
20010 Casorezzo (MI), Viale del Lavoro, 19
tel +39 02 90296206
alfavalvole.it